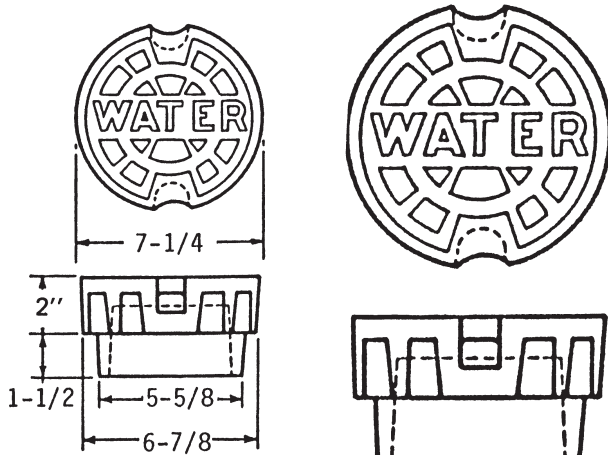


## VALVE BOX LIDS

*Standard and Locking Types*

### STANDARD LIDS

For 5-1/4" shaft Buffalo style valve boxes, TRUMBULL risers and "RITE-HITE" adapters.



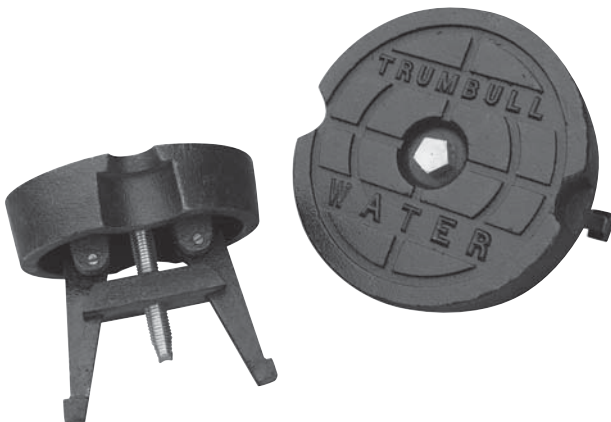
<u>Trumbull Item No.</u>	<u>Lettering</u>	<u>Weight</u>
367-5044	WATER	13 lbs.
367-5046	SEWER	13 lbs.
367-5048	GAS	13 lbs.
367-5049	NON-POTABLE WATER	13 lbs.

*Call for special lettering  
(on quantities of 100 or more.)*

Long skirt helps keep the lid from popping out of the valve box.

### LOCKING LIDS

Available for 4-1/4" and 5-1/4" Buffalo Style Valve Boxes



Locking Lids discourage unauthorized access to valve boxes. Tightening standard brass pentagon screw causes jaws to expand, bearing against inside of valve box.

<u>Trumbull Item No.</u>	<u>Lettering</u>	<u>Weight</u>
367-5047	4-1/4"	7.65 lbs.
367-5045	5-1/4"	12.70 lbs.

Please refer to the separate product literature sheets for "RITE-HITE" Adapters and Valve Box Risers (1", 1-1/2", 2", 3", 4" and 6").