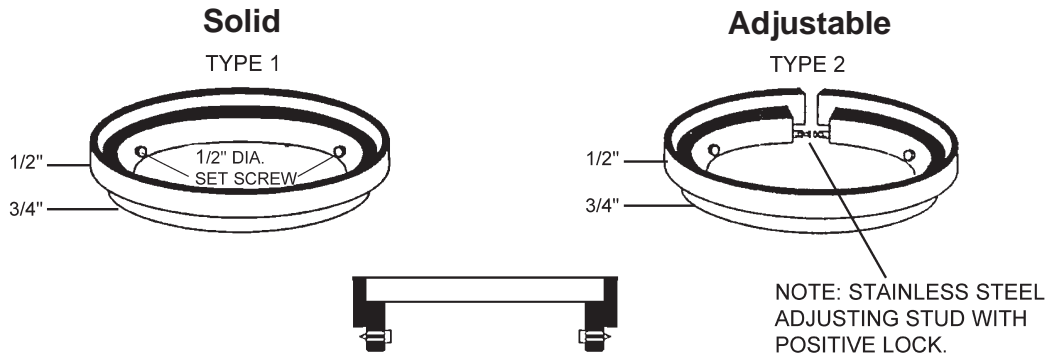
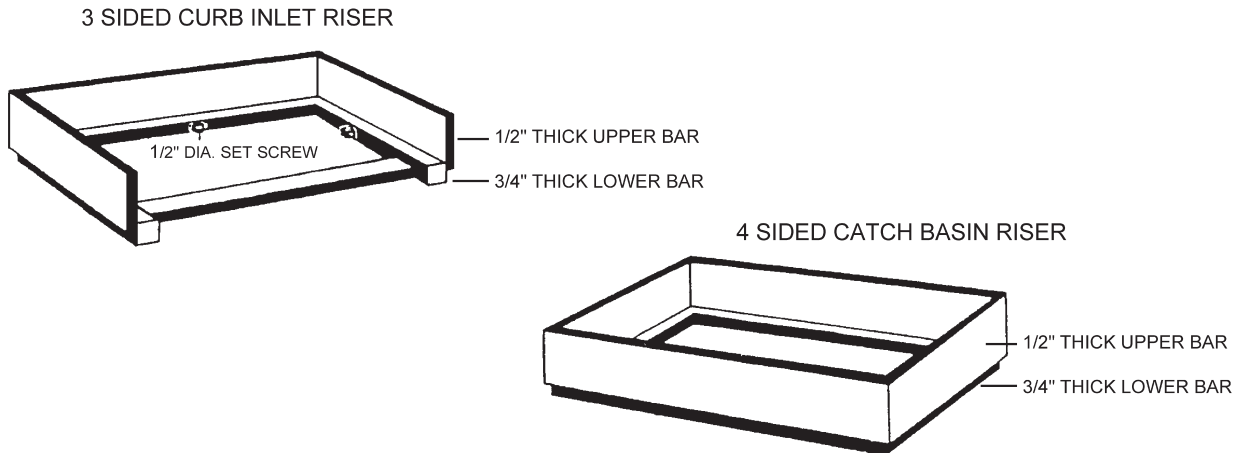


HEAVY DUTY MANHOLE & CATCH BASIN RISERS

MANHOLE RISERS Two Basic Types



CATCH BASIN RISERS



Made in USA with Domestic A-36 Steel
Coated with Bituminous Asphalt Based Paint
Also available: Trumbull Cast Iron Valve Box Risers

**All manhole and catch basin risers are made to order and are non-cancellable and non-returnable.
Please use order form on reverse side showing dimensions required.**