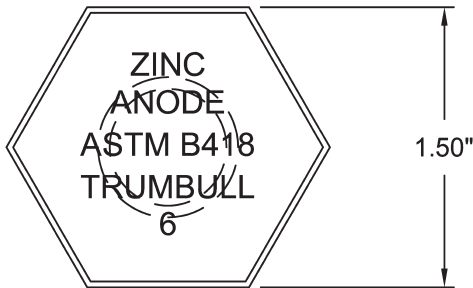


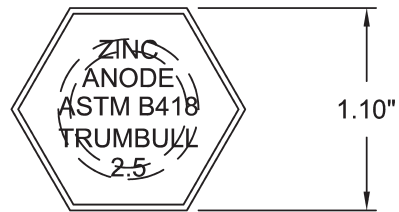
Material: High Grade Zinc
 Conforms to chemical requirements of
 ASTM B418-88, "Galvanic Zinc Anodes", and,
 U.S. Navy Specification, Mil-18001 H

<u>Item No.</u>	<u>Tapped</u>	<u>Weight (oz)</u>
364-1004	5/8"-11 NC	2-1/2
364-1006	3/4"-10 NC	2-1/2
364-1008	5/8"-11 NC	6
364-1010	3/4"-10 NC	6
364-1012	1"- 8 NC	6

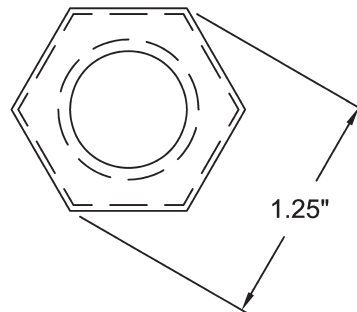
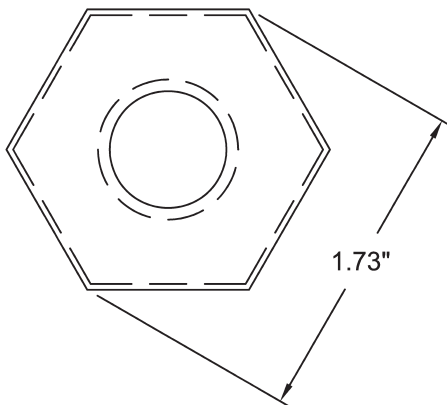
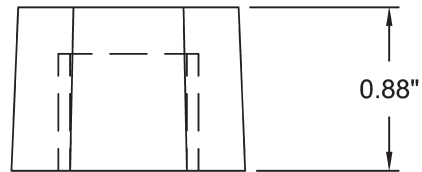
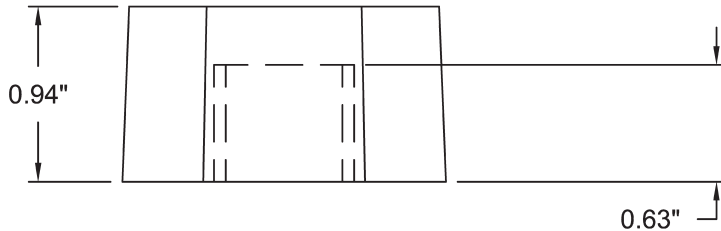
Large Anode Cap
 6 ounces



Small Anode Cap
 2-1/2 ounces



2° Taper, typical



Drawn:	Drawing Revision:	TRUMBULL INDUSTRIES P.O. Box 1556 1040 N. Meridian Rd. Youngstown, Ohio 44501	Drawn to Scale
Date 6/28/94	Rev. L Date 6/3/08		ZINC ANODE CAPS