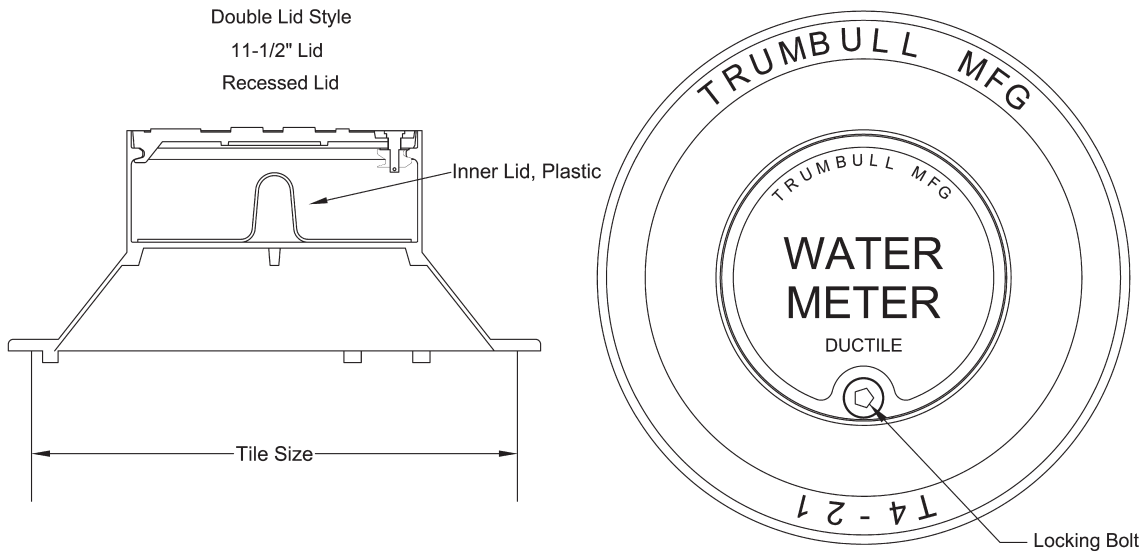
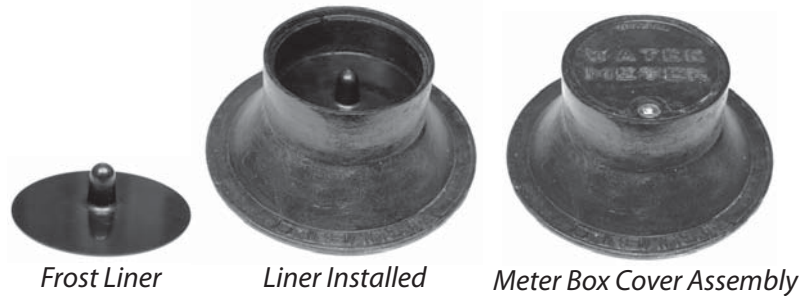


METER BOX COVERS

Double Lid Style

TRUMBULL METER BOX COVERS feature worm gear and standard 27/32" brass pentagon bolt. Double Lid Meter Box Covers provide both physical and frost protection for underground meters. The insulating air space captured in the Ductile Iron base casting, between the Ductile Iron lid assembly and the plastic frost liner, helps keep the ground heat inside the meter chamber to reduce the chance of freezing. The internal plastic frost liner is molded with a central hub to permit easy removal. The double lid style uses 11-1/2" solid lids; lids drilled for touch-read meters are available.



Trumbull Item No.	Description	Lid Size	Tile Size	Weight
367-5463	Model T4-21 Meter Box Cover Assembly	11-1/2	21	75 lbs.
367-5461	Lid Assembly	11-1/2	----	14 lbs.
367-5462	Frost Liner	11-1/2	----	10 oz.

See page C-8 for Pentagon Hand Key, 1305 & 1321 Keys, which attach to pentagon screw and facilitate lid removal. Other sizes are available; minimum order quantity required.