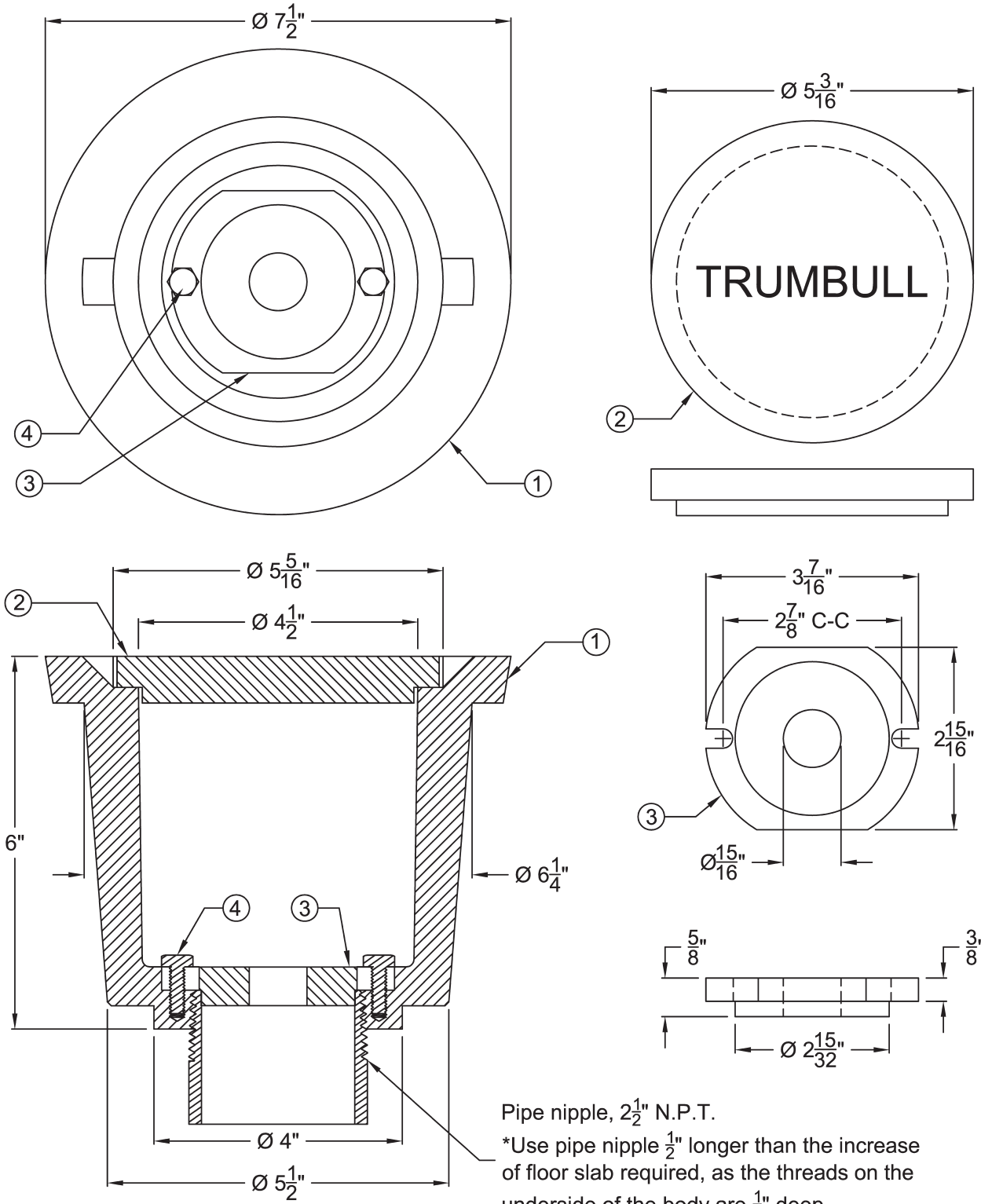


Item	Component	Material
1	Body	Cast Iron, Grey, ASTM A126(B), UNS F12102
2	Lid	Cast Iron, Grey, ASTM A126(B), UNS F12102
3	Bushing	UNS C86400 (B584) Manganese Bronze
4	Screw, Hex Head	Stainless Steel, Type 316



Drawn:	Drawing Revision:	TRUMBULL INDUSTRIES P.O. Box 1556 1040 N. Meridian Rd. Youngstown, Ohio 44501	Drawn to Scale
Date 4/4/94	Rev. H Date 4/9/08		UNIVERSAL FLOOR BOX