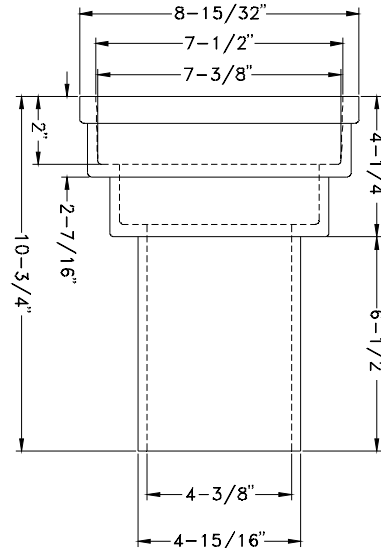


TRUMBULL INDUSTRIES, INC.

1040 N. Meridian Rd., P.O. Box 1556, Youngstown, Ohio 44501 Phone: (330) 799-3333
www.trumbull-mfg.com Toll Free: 1-800-677-1799 FAX: (330) 797-3215

RITE-HITE ADAPTERS

Slide-type "Rite-Hite" paving adapter Trumbull Item Number 367-5050

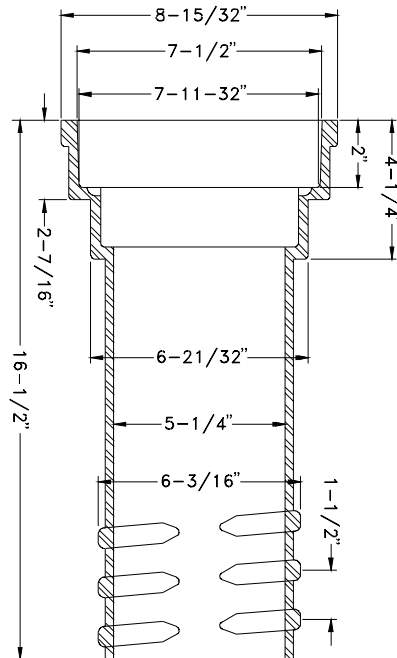


The "RITE-HITE" adapter provides a method for adjusting valve boxes to pavement level.
The adjustment range is from 2-1/2" to 8"

If the existing valve box is too low, place the "RITE-HITE" inside the existing box, pour stiff cement mortar around it and push down until the "RITE-HITE" is flush with the pavement surface.

If the existing valve box is too high, break off the top of the valve box and insert the "RITE-HITE". Then pour stiff cement mortar around it and push down until the "RITE-HITE" is flush with the pavement surface.

Screw-type "Rite-Hite" paving adapter, No. T-69 Trumbull Item Number 367-5060



This type adapter screws into the top section of the valve box.
The adjustment range is from 2-1/2" to 8".

Adjustable adapters accept standard valve box covers, as made by Bingham & Taylor, Central Foundry, Tyler, etc.

Please refer to the separate product literature sheets for Valve Box Risers (1", 1-1/2", 2", 3", 4" and 6"), and for Trumbull Valve Box Lids.