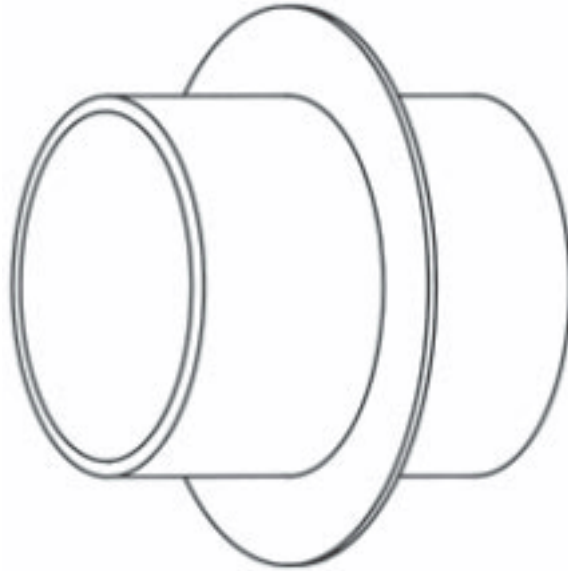


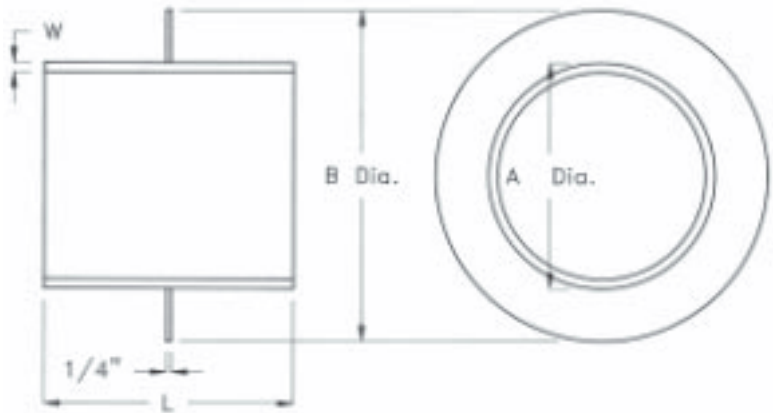
TRUMBULL INDUSTRIES, INC.

1040 N. Meridian Rd., P.O. Box 1556, Youngstown, Ohio 44501 Phone: (330) 799-3333
 www.trumbull-mfg.com Toll Free: 1-800-677-1799 FAX: (330) 797-3215

TRUMBULL WALL SLEEVES



Part No.	"A" Dia.	"B" Dia.	"W" Th.
TWS-025-L	2.875	6.875	0.203
TWS-030-L	3.500	7.500	0.216
TWS-040-L	4.500	8.500	0.237
TWS-060-L	6.625	10.625	0.280
TWS-080-L	8.625	12.625	0.322
TWS-100-L	10.75	14.750	0.365
TWS-120-L	12.75	16.750	0.375
TWS-140-L	14.00	18.00	0.375
TWS-160-L	16.00	20.00	0.375
TWS-180-L	18.00	22.00	0.375
TWS-200-L	20.00	24.00	0.375
TWS-220-L	22.00	26.00	0.375
TWS-240-L	24.00	28.00	0.375
TWS-300-L	30.00	34.00	0.375
TWS-360-L	36.00	40.00	0.375



All Trumbull Wall Sleeves consist of a 1/4" thick steel flange continuously welded, both sides, to a heavy steel cylinder. Wall Sleeves are supplied with a black enamel rust preventive coating on all surfaces; special coatings, including epoxy are available upon request.