

Rensselaer and Corey

Fire Hydrants

BULLETIN I

LUDLOW - RENSSELAER
Division of



400 Dietz Rd.
Warren, Ohio 44482
(330) 393-6624 • 1-800-477-1799
FAX (330) 392-0756

Fire Hydrants Directions For Servicing

TO DISMANTLE

Shut off the water in the main, or close the secondary valve if one is located between the Hydrant and the main.

Remove the Dome and take out the long and short Head Bolts. Turn the Operating Nut to open the Hydrant to full open. Be sure to remove Head Bolts before opening Hydrant.

Lift off Head Plate and pull out the internal working parts.

TO REPLACE WORKING PARTS

Refer to Figures on page 4 & 6

MAIN VALVE RUBBER "D" (Fig. 91) - Unscrew Nut "F" and remove Washer "E". The Valve Rubber "D" can now be removed and a new one put on. Replace Washer and Nut and be sure to prick-punch the nut threads after it has been tightened.

DRIP VALVE RUBBER "H" (Fig. 91) - Remove Bolt "J" and Washer "I". Slip off the old Drip Rubber and substitute a new one. Be sure that Bolt "J" is tightened against the Washer when replacing it.

MAIN HYDRANT GATE PLATE "C" (Fig. 91) - Lay the working parts on a flat surface. Remove Cotter Pins "M" and Gate Pins "N" and "O". This will release the Gate "C" allowing it to be removed. Care should be taken that the positions of the Stem Nuts "P" and "Q" are not changed from where they were before the Gate was removed. Place the new Gate in position and insert Gate Pins and then Cotter Pins. See that the Cotter Pin on each side is securely fastened by spreading apart the ends after they are in place.

OPERATING ARMS "B" (Fig. 91) - Lay the working parts on a flat surface. Remove Cotter Pins "M" and Gate Pins "N" and "O". See that the positions of the Stem Nuts "P" and "Q" are not changed during the repair. Remove the Arms and put on new ones. Replace Gate Pins and Cotter Pins. See that Cotter Pins are securely in place and ends spread apart.

STEM NUTS "P" and "Q" (Fig. 91) - Remove the Operating Arms from the Gate in the manner described above. Then take off the Coupling "L" and the Drip Valve Holder "G". Unscrew Stem Nuts "P" and "Q" and

replace. Next locate the Stem Nuts as near equidistant from the center (punch marked on spindle or stem) as possible and reassemble the other parts as described under "Operating Arms."

SPINDLE "A" (Fig. 91) - Remove Operating Arms "B", Coupling "L", Drip Valve Holder "G", and Stem Nuts "P" and "Q" as previously described. Replace Stem Nuts, Drip Valve Holder, and Coupling on new Spindle and reassemble as described under "Operating Arms". Be sure that Stem Nuts are as near equidistant from center (punch marked on spindle or stem) as possible and that the Drip Valve Holder "G" is at least one, but not more than two turns away from end of bottom Stem Nut "Q" when Gate is back against the Spindle or Stem.

SEAT RING "RR" (Fig. H-990) - Unscrew old ring (lugs are provided to facilitate this operation) and replace with new Ring. Use suitable pipe joint compound on threads to insure watertightness.

DRIP BARREL "KR" (Fig. H-990) - Remove Bas Flange "BF". Unscrew old Drip Barrel and replace with new Barrel. Use suitable pipe joint compound on threads to insure watertightness.

Note: It is extremely unlikely that you will ever find it necessary to replace Seat Rings or Drip Barrels.

OPERATING SLEEVE "ZR" (Fig. H-990) - Remove Dome "YR" and Head Plate "HP". Take off Follower Plate "FP" and Gland "FG". Take out old Packing in Stuffing Box and slide out Operating Sleeve. Insert new Sleeve and repack Stuffing Box. Add a little oil in Stuffing Box. Replace Gland, Follower Plate, Head Plate and Dome.

COLLAR "GG" and DEFLECTOR "XR" (Fig. H-990) - Remove Dome "YR" and Head Plate "HP". Loosen Set Screws "FF" and slip off Collar from Operating Rod "TR". Take out Deflector "XR" and replace. Change Collar "GG" and tighten Set Screws "FF". Reassemble Head Plate and Dome.

Note: All Working Parts below "L" Coupling are interchangeable for all hydrants of the same size.

Hydrant Extensions

The Rensselaer Hydrant may readily be lengthened without shutting off the line to the hydrant. Intermediate sections and extension rods with coupling and pins, varying in 6" length multiples from 6" through 60", can be supplied for this purpose.

DIRECTIONS FOR INSTALLING EXTENSION

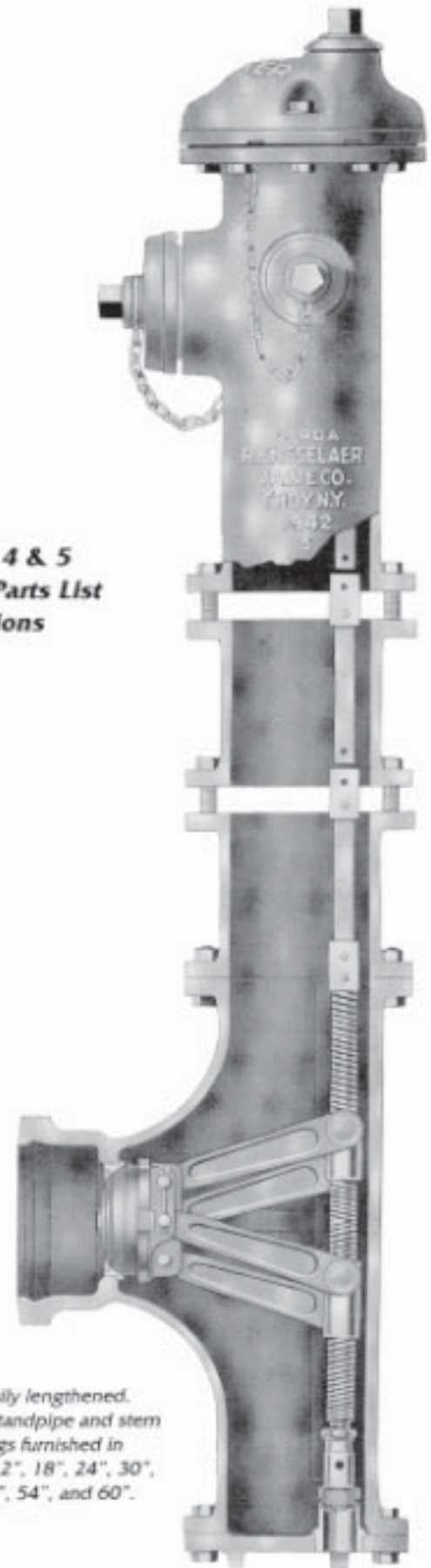
Refer to Figures on page 6.

1. Remove Hydrant Dome "YR" and Head Plate "HP" together with Operating Sleeve "ZR".
2. Loosen Collar Set Screws "FF" and remove Collar "GG".
3. Slip Standpipe "UR" up over Operating Rod "TR".
4. Drive out upper pin in Coupling "L" and remove Operating Rod.
5. Insert proper length Operating Rod Extension into Coupling "L" and replace Pin and upset ends.
6. Bolt on required length Standpipe Extension Section.
7. Insert Operating Rod in upper Coupling, drive in pin and upset ends.
8. Replace Standpipe, Collar, Set Screws, Head Plate and Dome.

DIRECTIONS FOR ORDERING EXTENSIONS

1. Give name of Hydrant - RENSSELAER.
2. State size of Hydrant - 4" or 5". (4" Hydrants have 4 Bolts in each Standpipe flange, and 5" have 8 Bolts.)
3. Specify length of Extension Section required. (Unless otherwise specified, Extension Rod, Coupling, Bolts and Gasket will be shipped with each section).

****See Pages 4 & 5
for Core Parts List
& Illustrations***



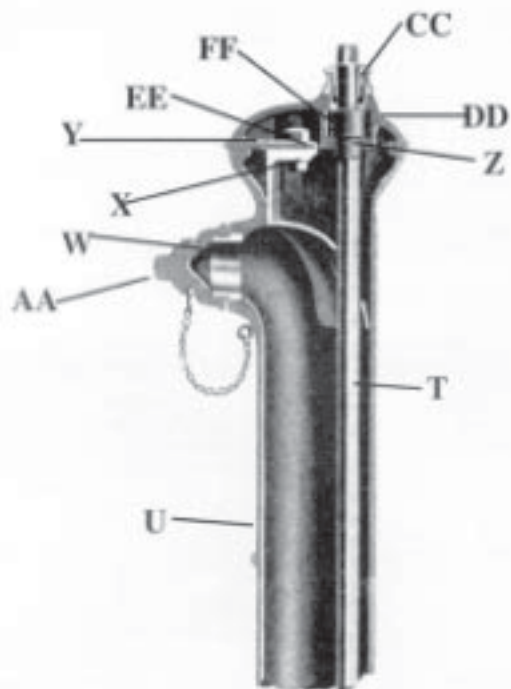
*Hydrants easily lengthened.
Sections of standpipe and stem
with couplings furnished in
lengths 6", 12", 18", 24", 30",
36", 42", 48", 54", and 60".*

Fig. H-94

Corey Hydrants

Style "A"

4" Valve Opening



Style "B"

4", 4 1/2", 5" and 6"
Valve Opening

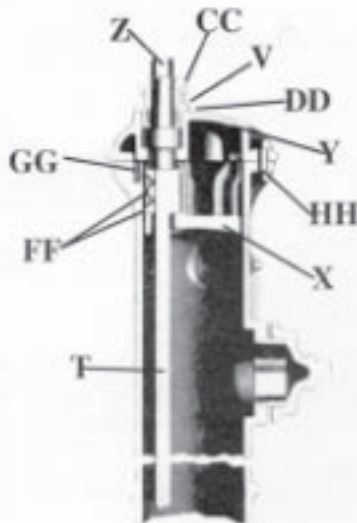


Fig. 365

4", 4 1/2", 5" and 6"
Valve Opening
Inside Independent
Nozzle Hydrant

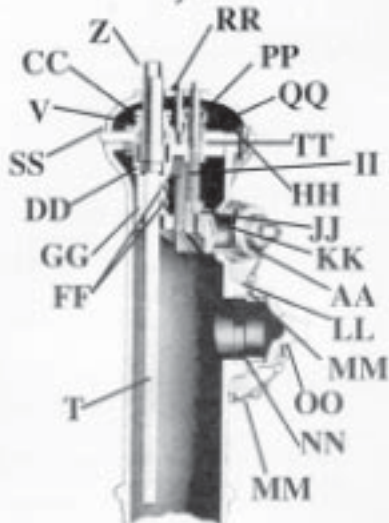


Fig. 366

Internal Working Parts of Corey Hydrants

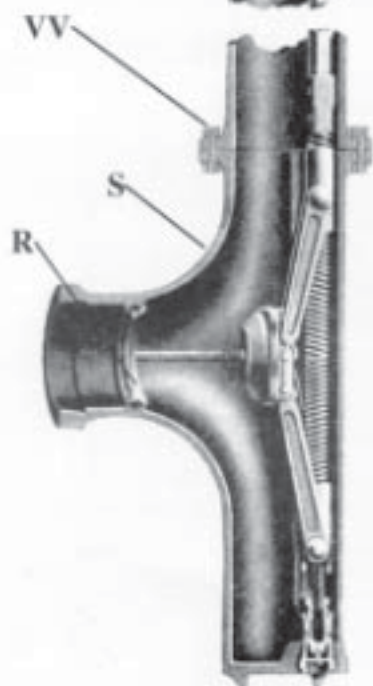
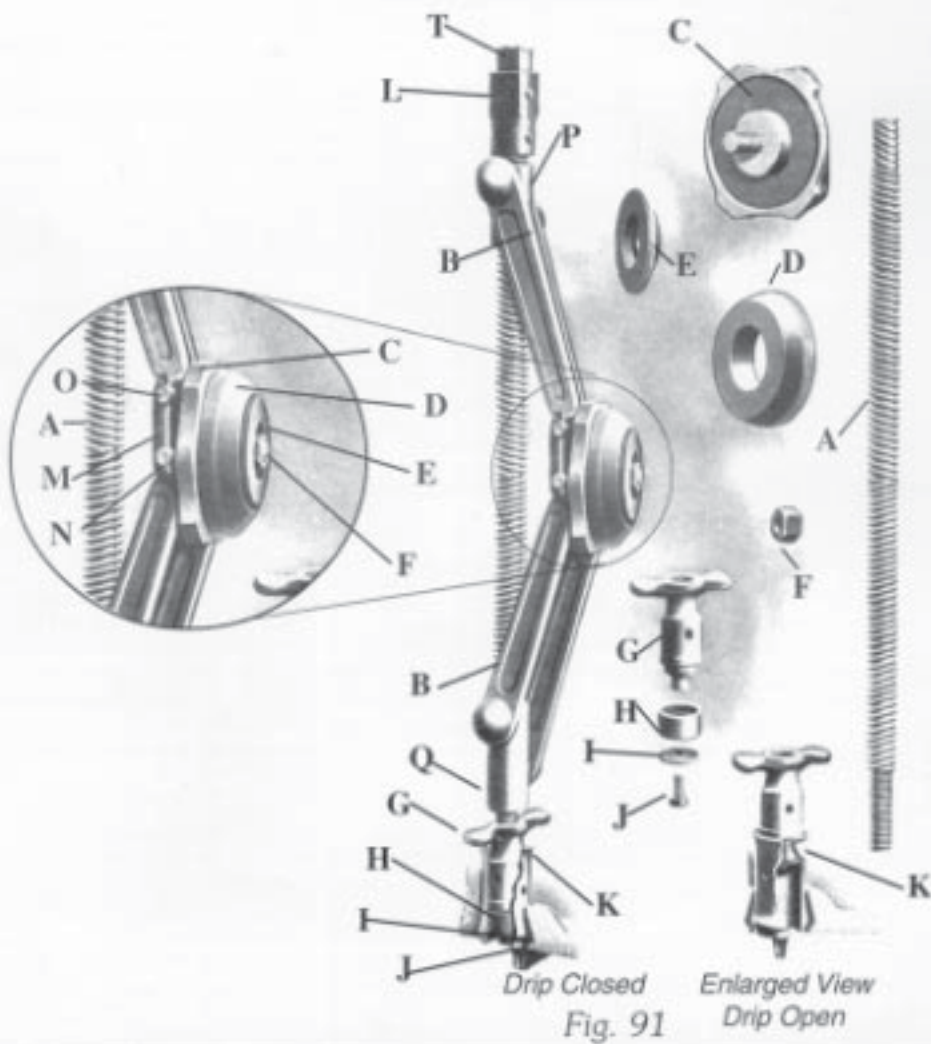


Fig. 88
Hydrant Open.
Drip Closed.



Drip Closed
Fig. 91

Enlarged View
Drip Open

Corey Parts List

When ordering Parts of Hydrants give the Following Information:

1. Specify figure number and size of Valve Opening, which can be determined by the circumference of the standpipe - 4" being 21", 4-1/2" being 23", 5" being 25", 6" being 28".
2. If 4", specify whether Style "A" or Style "B". If 5", specify whether 5-bolt or 8-bolt style.
3. Specify Letter or Double Letter denoting part desired.
4. State whether hydrant opens Left (counter clockwise), or Right (clockwise) for parts A, G, P & Q.
5. When ordering Nozzles or Caps, specify name of City or send drawing if other than National Standard.

Please call if further information is needed.

LIST OF HYDRANT PARTS

- | | | | |
|-----|---|-----|--|
| A. | Rolled Bronze Threaded Spindle. * | AA. | Nozzle Cap. |
| B. | Operating Arms or Braces. | CC. | Brass Follower. |
| C. | Main Hydrant Gate. | DD. | Brass Stuffing Box. |
| D. | Main Valve Rubber. | EE. | Deflector Bolt. |
| E. | Main Valve Washer. | FF. | Sleeve Set Screw. |
| F. | Main Valve Bronze Nut. | GG. | Sleeve Collar for Operating Rod. |
| G. | Brass Drip Valve Holder. * | HH. | Bolts for Head and Standpipe. |
| H. | Rubber, Cup Shaped Drip Valve. | II. | Bronze Independent Nozzle Stem. |
| I. | Brass Drip Valve Washer. | JJ. | Bronze Stem Nut for Independent Stem. |
| J. | Bronze Drip Valve Bolt. | KK. | Bronze Gate for Independent Valve. |
| K. | Brass Drip Barrel. | LL. | Brass Nozzle for Independent Gate. |
| L. | Bronze Coupling or Connection, with Rivets. | MM. | Chain for Nozzle Caps. |
| L1. | Bronze Extension Rod Coupling. | NN. | Brass Steamer Nozzle. |
| L2. | Bronze Coupling for Ground Line Flange Hydrant. | OO. | Steamer Nozzle Cap. |
| M. | Brass Cotter Pins. | PK. | Packing. |
| N. | Long Bronze Gate Pin. | PP. | Bronze Cover Nut for Independent Stem. |
| O. | Short Bronze Gate Pin. | QQ. | Bronze Stuffing Box and Follower for Independent Stem. |
| P. | Short or Top Bronze Stem Nut. * | RR. | Bolt to secure Dome "SS" to Head "TT". |
| Q. | Long or Bottom Bronze Stem Nut. * | SS. | Dome. |
| R. | Brass Seat Ring. | TT. | Head for Independent Gate. |
| S. | Hydrant Bottom. | VV. | Bolts between Standpipe and Bottom. |
| T. | Operating Rod. | | |
| T1. | Extension Rod. | | |
| U. | Hydrant Standpipe. | | |
| V. | Lock Ring. | | |
| W. | Brass Nozzle (threaded). | | |
| X. | Deflector. | | |
| Y. | Hydrant Head. | | |
| Z. | Hydrant Sleeve with Operating Nut. (Specify size and shape of operating nut if other than National Standard). | | |

* Specify opens left or opens right.

**Order by Trumbull part #.
See listing beginning on page 8.**

PARTS LIST - HYDRANTS

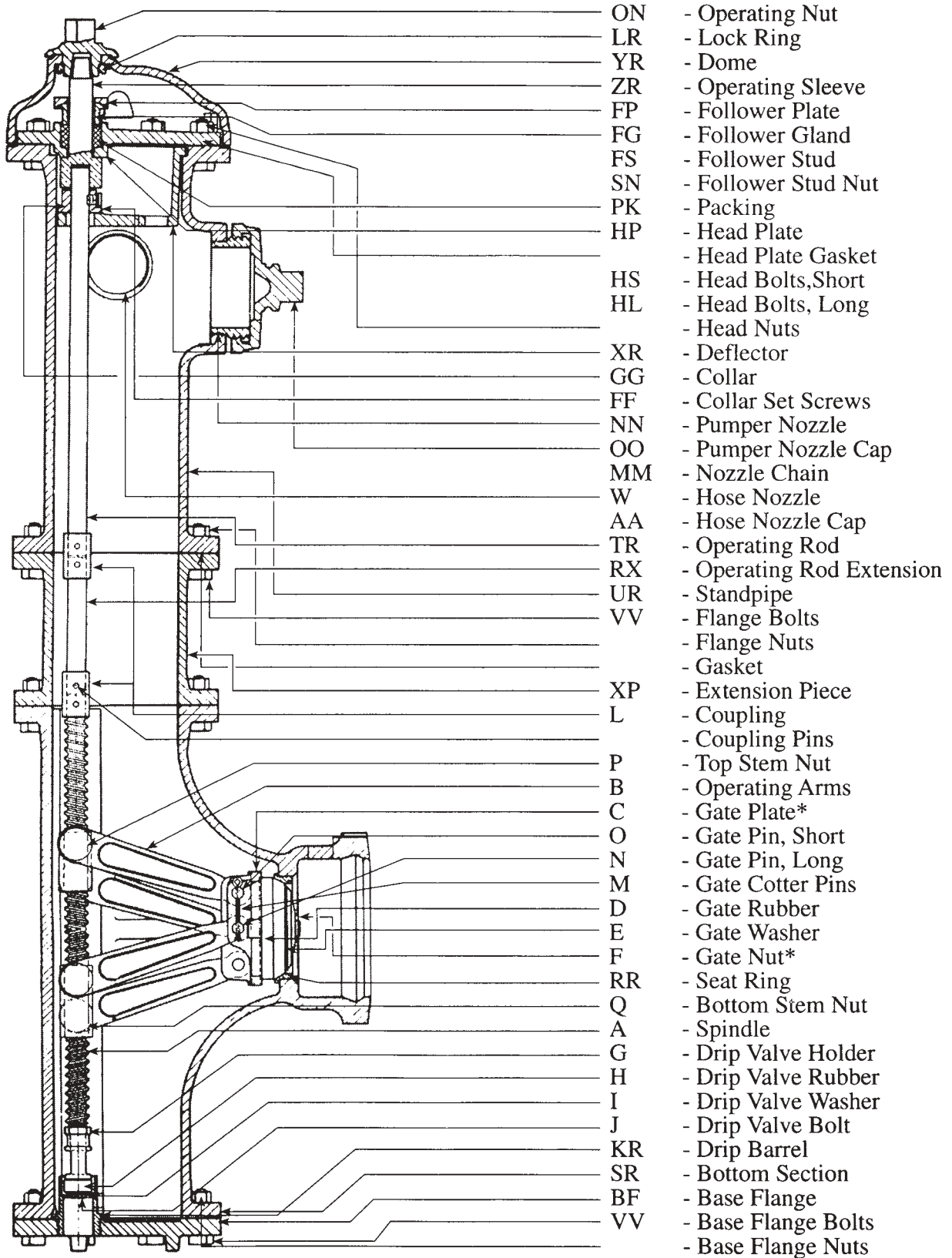


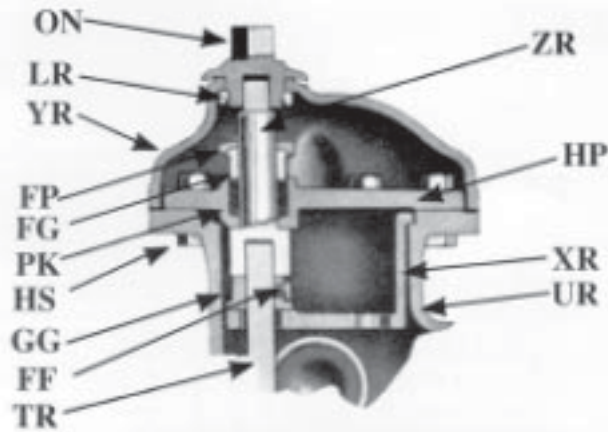
Fig. H-990

Order By Trumbull
part #. See listing
beginning on page 8.

*For current repair parts, we
furnish a hex cap screw in
lieu of a stud and gate nut
(part F)

PARTS LIST - HYDRANTS

Head Parts



Rensselaer "Defender" Hydrant Head
Fig. H-93A

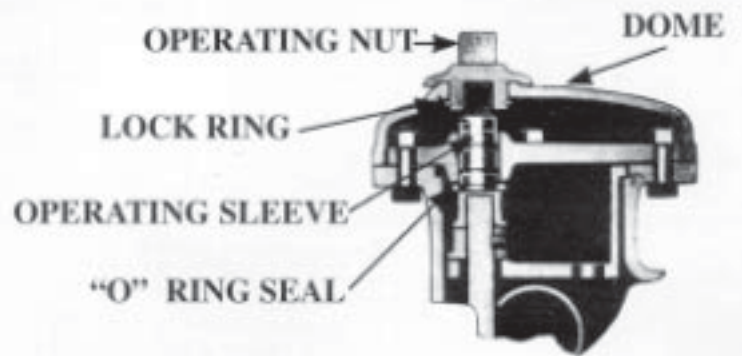
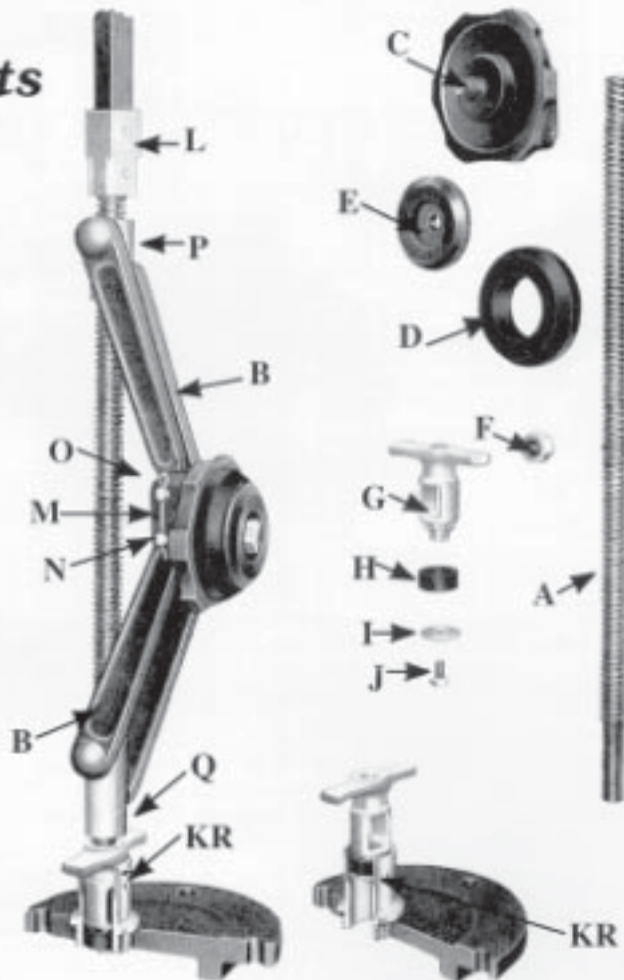


Fig. H-93B. Rensselaer-Corey Hydrant Head
with "O" Ring Seal

Internal Working Parts



Internal Working Parts
Fig. H-991

Rensselaer & Corey Parts

Part	Description	Valve Opening	Corey & Rensselaer Part Number	Trumbull Number
A	Stem (Spindle)	4" O/L	04-93-524	393-0200
		4" O/R	04-93-524	393-0205
		5" O/L	05-93-524	393-0210
		5" O/R	05-93-524	393-0215
B	Operating Arm	4"	04-93-515	393-0225
		5"	05-93-515	393-0235
C	Gate Plate	4"	04-93-501	393-0245
		5"	05-93-501	393-0250
D	Gate Rubber	4"	026-0054	393-0255
		5"	026-0055	393-0260
		6"	026-0067	393-0265
E	Gate Washer	4"	04-93-502	393-0270
		5"	05-93-502	393-0275
F	Gate Bolt	4"	-	393-0784
		5"	-	393-0787
G	Drip Valve Holder	4" O/L	04-93-511	393-0325
		4" O/R	04-93-511	393-0320
		5" O/L	05-93-511	393-0335
		5" O/R	05-93-511	393-0340
H	Drip Valve Rubber	4" & 5"	026-0056	393-0300
I	Drip Valve Washer	4" & 5"	04-93-513	393-0345
J	Drip Valve Bolt	4" & 5"	04-93-512	393-0350
K-KR	Drip Barrel	4" & 5"	04-93-085	393-0360
L	Coupling, Upper Coupling, Lower Coupling, Lower Coupling, Pins	4" & 5"	005-0041	393-0115
		4"	04-93-523	393-0285
		5"	005-0041	393-0115
		4" & 5"	-	393-0120
M	Gate Cotter Pin	4" & 5"	019-0017	393-0290
N	Gate Pin - Long	4"	033-0034	393-0295
		5"	033-0037	393-0299
O	Gate Pin - Short	4"	033-0034	393-0301
		5"	033-0036	393-0305

Rensselaer & Corey Parts

Part	Description	Valve Opening	Corey & Rensselaer Part Number	Trumbull Number
P	Top Stem Nut	4" O/L	04-93-521	393-0370
		4" O/R	04-93-521	393-0365
		5" O/L	05-93-521	393-0390
		5" O/R	05-93-521	393-0380
Q	Bottom Stem Nut	4" O/L	04-93-521	393-0400
		4" O/R	04-93-521	393-0395
		5" O/L	05-93-521	393-0408
		5" O/R	05-93-521	393-0404
R-RR	Seat Ring	4"	04-93-099	393-0416
		5"	05-93-099	393-0424
S-SR	Bottom Section, 4" MJ	4"	04-93-011	393-0428
	Bottom Section, 6" MJ	5"	04-93-021	393-0432
	Bottom Section, 6" Fig	5"	05-93-021	393-0436
	Bottom Section, 6" MJ	5"	05-93-011	393-0510
BF	Base Flange	4"	04-93-081	393-0524
		5"	05-93-081	393-0521
UR	Upper Section (Standpipe) Cast Iron Part Only	4", 2-way	04-93-206	393-0527
		4", 3-way	04-93-211	393-0530
		5", 2-way	05-93-206	393-0533
		5", 3-way	05-93-211	393-0536
TR	Upper Section Operating Rod	4"	-	393-0539
		5"	-	393-0542
W	2-1/2" Hose Nozzle, Lead-In	4" & 5"	NST	393-0578
		4" & 5"	Not NST	SP
	2-1/2" Hose Nozzle, Screw-In	4" & 5"	NST	393-0151
		4" & 5"	Not NST	SP
AA	U2-1/2" Hose Nozzle Cap	4" & 5"	NST	392-0912
		4" & 5"	Not NST	SP
NN	Steamer Nozzle, Screw-In	4" & 5"	NST	393-0154
		4" & 5"	Not NST	SP
OO	Steamer Nozzle Cap	4" & 5"	NST	392-0914
		4" & 5"	Not NST	SP
CC	Follower f/Packing Style Hyd	4" & 5"	04-91-589	393-0515

Rensselaer & Corey Parts

Part	Description	Valve Opening	Corey & Rensselaer Part Number	Trumbull Number
DD	Stuffing Box f/Packing	4"	04-91-591	393-0512
		5"	05-91-591	393-0509
XR	Deflector	4"	04-93-585	393-0506
		5"	05-93-585	393-0503
Z	Operating Sleeve, Corey Style "A", 1-1/2" Pent Nut Cast On	4"	91-114-27	393-0500
Z	Operating Sleeve, Corey Style "B", 1-1/2" Pent Nut Cast On	5"	91-105-27	393-0498
	Packing Sleeve f/L90A, Use with Part "ON" Operating Nut	4" & 5"	91-101-00	393-0494
	O-Ring Sleeve f/L90B, Use with Part "ON" Operating Nut	4" & 5"	91-103-00	393-0490
	O-Ring for O-Ring Sleeve (2 Required)	4" & 5"	-	393-0188
GG	Collar	4" & 5"	04-93-582	393-0486
FF	Set Screws f/Collar "GG"	4" & 5"	-	393-0482
HP	Head Plate f/L90A, Packing Type	4"	04-93-493	393-0480
		5"	05-93-593	393-0472
HP	Head Plate f/90B, O-Ring Type	4"	04-93-593	393-0468
		5"	05-93-593	393-0464
FS	Studs & Nuts f/90A, Regular Packing Stuffing Box, w/nut 2 of each Stud & Nut Required	4" & 5"	Stud with Nut	392-0255
YR	Dome L90A Regular Packing Hydrant	4"	04-92-599	393-0745
		5"	05-92-599	393-0748
YR	Dome L90B O-Ring Type Hydrant	4"	04-93-598	393-0460
		5"	05-93-598	393-0456
FG	Follower Gland f/L90A	4" & 5"	04-92-589	393-0452
FP	Follower Plate f/L90A	4" & 5"	04-92-589	393-0448
ON	Operating Nut (C.I.) f/L90A or B Operating Sleeve 1-1/2" Pent NST	4" & 5"	93-101-27	393-0751

Rensselaer & Corey Parts

Part	Description	Valve Opening	Corey & Rensselaer Part Number	Trumbull Code
ON	Operating Nut (C.I.) Other Than NST	4" & 5"	-	SP
V-LR	Lock Ring	4" & 5"	04-93-587	393-0444
	Gate Assembly, Parts C, D, E & F	4" 5"	- -	393-0450 393-0455
	Drip Assembly, Parts G, H, I & J	4" O/L 4" O/R 5" O/L 5" O/R	- - - -	393-0703 393-0700 393-0706 393-0709
	Internal Working Parts From "L" Coupling Down, with Drip Parts	4" O/L 4" O/R 5" O/L 5" O/R	- - - -	393-0712 393-0715 393-0718 393-0721
HL	Head Bolt - Long w/nut (2 Required)	4" & 5"	Bolt with Nut	393-0440
HH-HS	Head Bolt w/Nut - Short	4" & 5"	Bolt with Nut	393-0799
VV	Flange Bolt w/Nut (Same As Short Head Bolt)	4" & 5"	Bolt with Nut	393-0799
V	Lock Ring f/Corey Follower	4" & 5"	04-91-592	393-0754
	Dome or Head Gasket: 4 - 3/4" Holes on 8-5/8" B.C. 8 - 3/4" Holes on 9-3/4" B.C.	4" 5"	-	393-0457 393-0733
	Flange Gasket: No Holes No Holes 4 - 3/4" Holes on 8-5/8" B.C. 8 - 3/4" Holes on 9-3/4" B.C. 5 - 3/4" Holes on 9-3/4" B.C.	4" 5" 4" 5" 5"	-	393-0724 393-0727 393-0457 393-0733 393-0742
	Packing - 5/16" Square	4" & 5"	-	393-0833

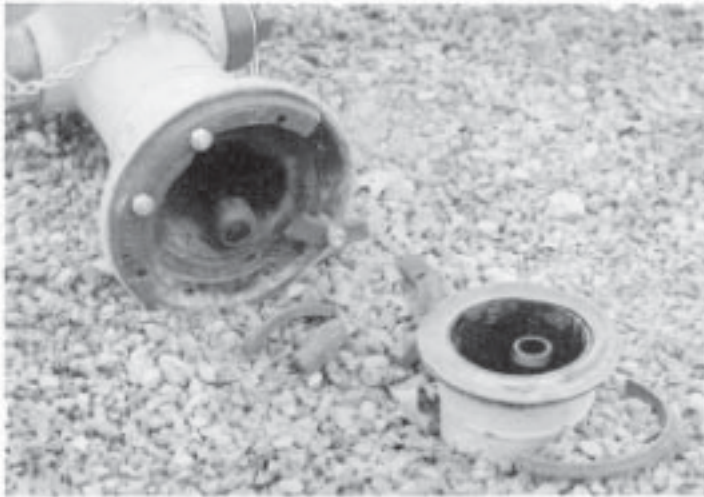


TRUMBULL INDUSTRIES, INC.

1040 N. Meridian Rd., P.O. Box 1556, Youngstown, Ohio 44501 Phone: (330) 799-3333
Toll Free: 1-800-677-1799 FAX: (330) 797-3215

HYDRANT SAFETY REPAIR KIT for popular make hydrants

All Trumbull Safety Repair Kits come complete with all necessary components such as rod coupling and pins, breakable groundline flanges or coupling, bolts, nuts, gaskets and/or o-rings.



Please inquire about hydrant extensions and internal repair parts for various makes of hydrants.

Trumbull Industries
Making fire hydrant parts since 1990

Trumbull Industries is the original manufacturer of Ludlow, Corey & Rensselaer hydrants. Trumbull Industries is not affiliated with any of the manufacturers whose hydrants are photographed above.