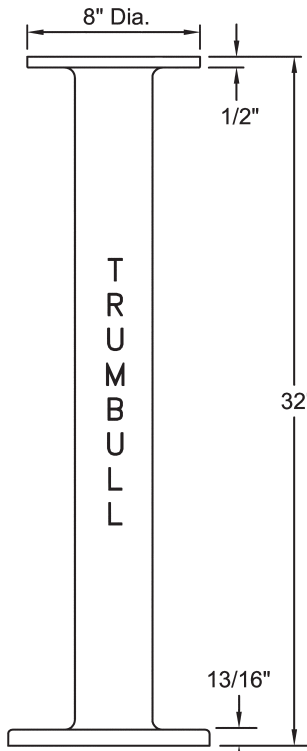


Multi-Purpose . . . *MANY POSSIBILITIES!*  
**32" Ductile Iron Pedestal**

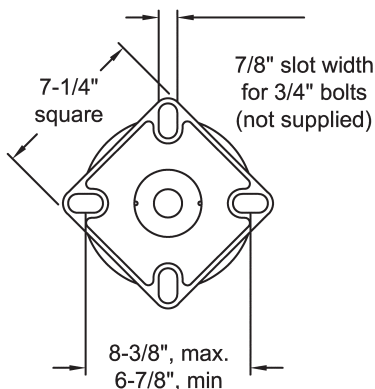
**TRUMBULL 32" DUCTILE IRON PEDESTALS** are designed for installation in treatment plants and pump stations to allow operation of valves at a lower elevation.

Pedestals can be adapted for various custom requirements such as mounting of electric motor operators, manual gear operators, or customer-supplied components. Also available in fabricated stainless steel or carbon steel in various heights.

**Pedestal Dimensions**



**Pedestal Base Dimensions**



**DUCTILE IRON CASTING**  
 for added strength

**2-PART EPOXY COATING**  
 Tnemec N140-1211

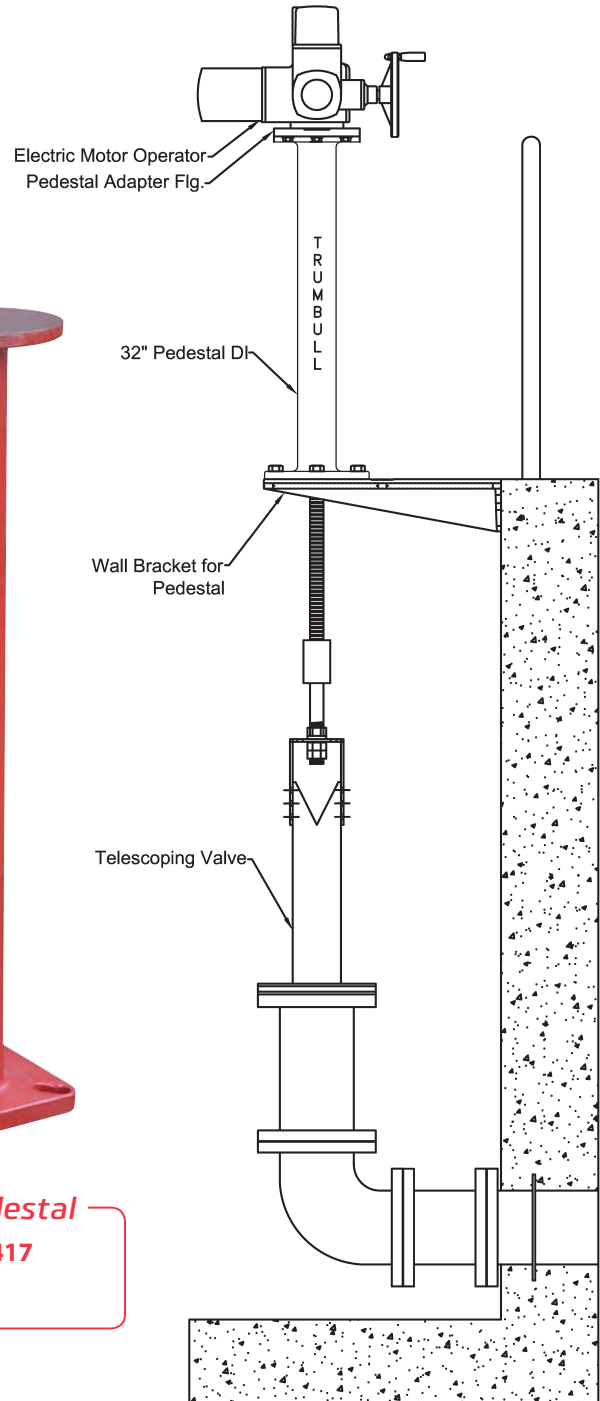
**SLOTTED BOLT HOLES**  
 provide adjustability to avoid interference with rebar



**32" Ductile Iron Pedestal**

Item number: **367-2417**

Weight: 43.45 lbs.



Typical installation