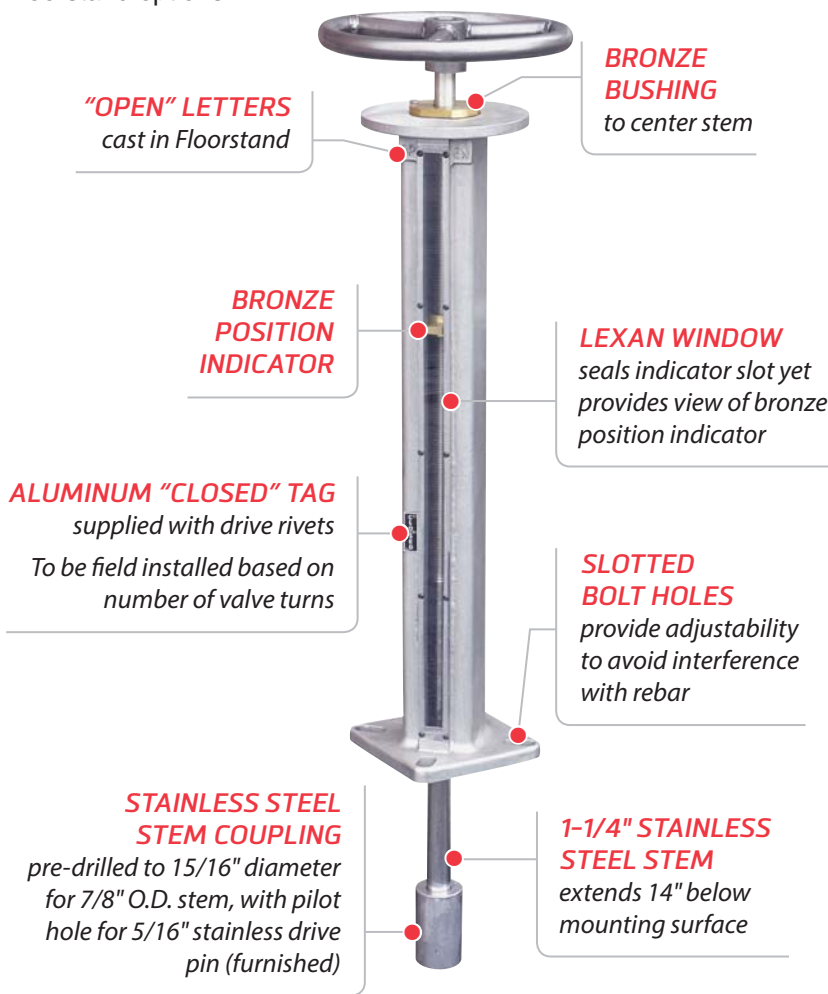


36" Stainless Indicating Floorstand

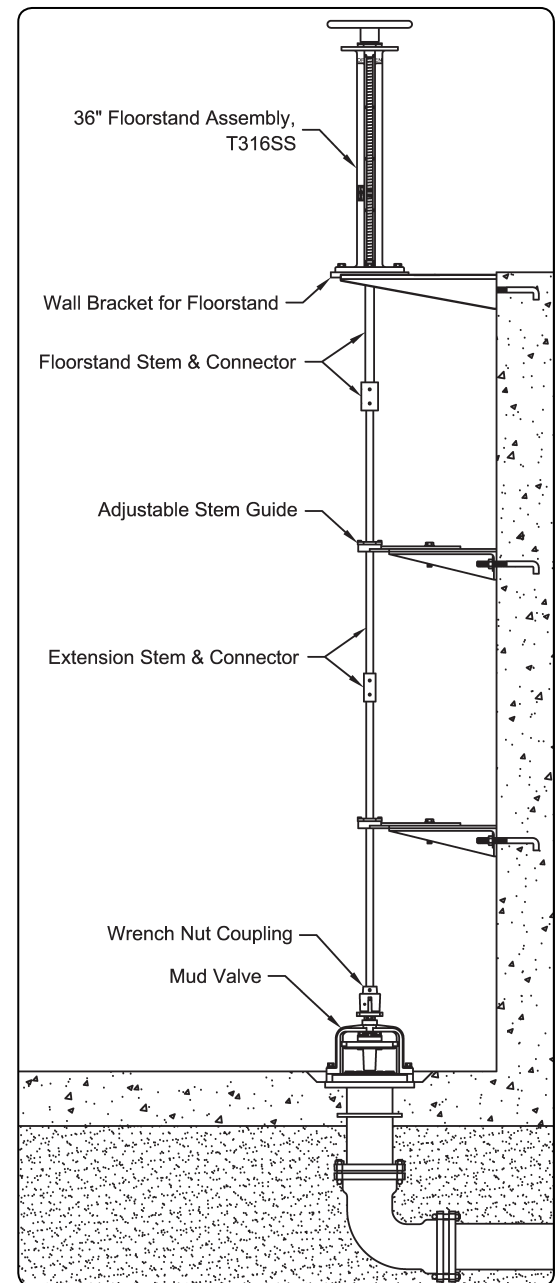
Sealed Indicator Slot

TRUMBULL 36" STAINLESS STEEL INDICATING FLOORSTANDS are designed for installation in treatment plants and pump stations to allow operation of valves at a lower elevation. Stainless steel drive pin secures handwheel to stem. Flange can be machined to facilitate mounting of actuator, if required (also available with gear operators). Stocked for "open left" valves; also available for "open right" valves. Standard stem threading allows up to 196 turns; optional threading allows up to 784 turns. Also available in ductile iron (see page G-41 and G-42). See page G-28 for custom Floorstand options.

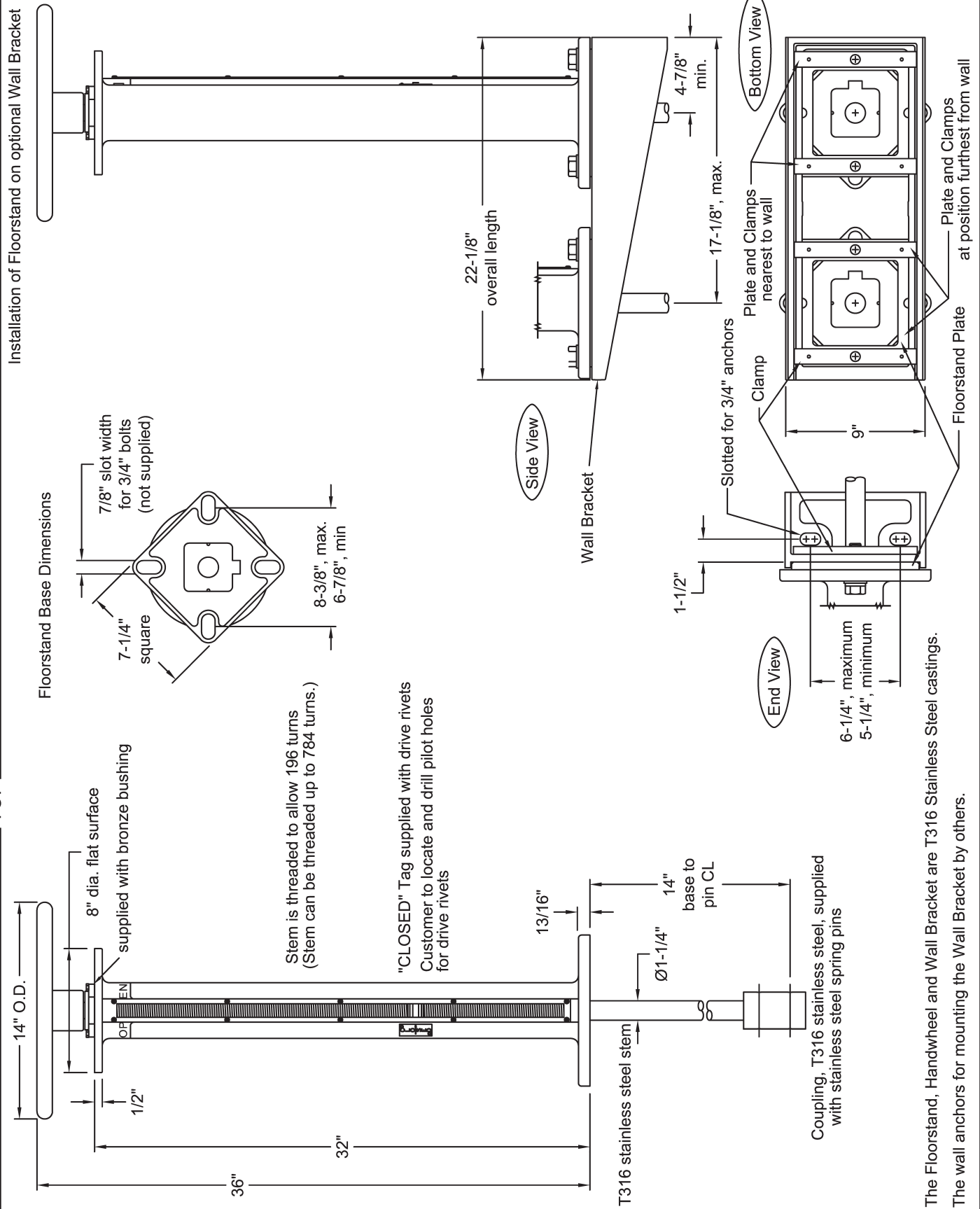


Ordering Instructions

1. Quantity required
2. Floorstand item number: **367-2431**
3. O.D. of extension stem being used, for drilling of connecting couplings
4. Stainless steel Wall Bracket, if required: item number: **367-2461**



Typical Floorstand installation



Drawn:	Drawing Revision:	
Date	Rev.	Date
5/20/08	G	11/11/2012

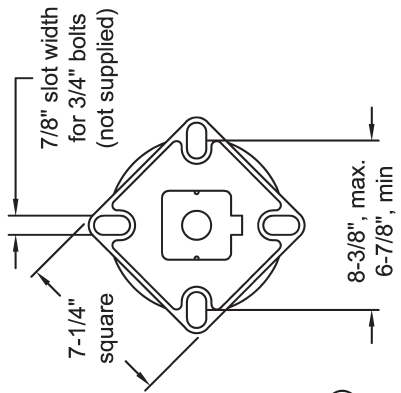
TRUMBULL INDUSTRIES
 P.O. Box 1556
 1040 N. Meridian Rd.
 Youngstown, Ohio 44501

Drawn to Scale
INDICATING FLOORSTAND
36" STAINLESS STEEL

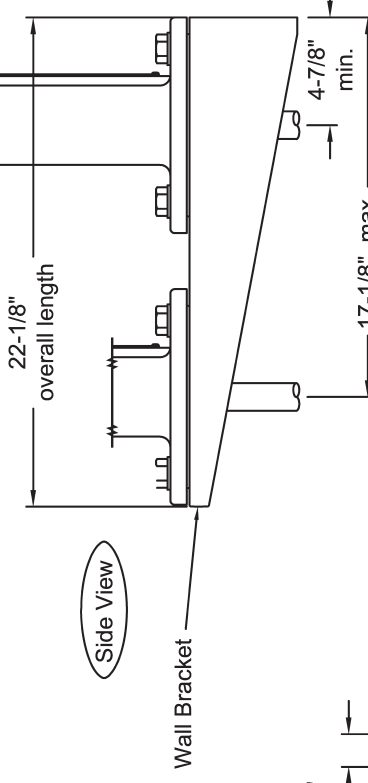
The Floorstand, Handwheel and Wall Bracket are T316 Stainless Steel castings.
 The wall anchors for mounting the Wall Bracket by others.

Installation of Floorstand on optional Wall Bracket

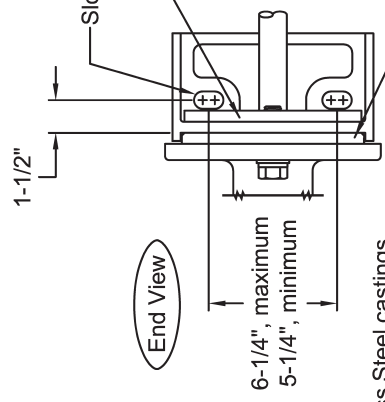
Floorstand Base Dimensions



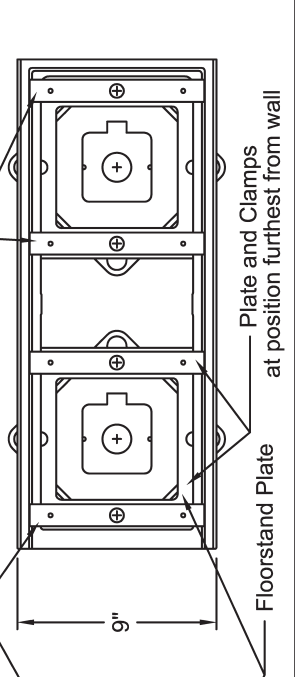
Side View



End View



Bottom View



Stem is threaded to allow 196 turns
 (Stem can be threaded up to 784 turns.)

"CLOSED" Tag supplied with drive rivets
 Customer to locate and drill pilot holes
 for drive rivets

Coupling, T316 stainless steel, supplied
 with stainless steel spring pins