

Adjustable Stem Guides

For LARGER Diameter Stems

TRUMBULL LARGE DIAMETER STEM GUIDES are designed for installation in treatment plants and pump stations to provide support for valve extension stems. They accommodate larger stem diameters, expanding the bore capacity up to 6-1/2". All ductile iron castings coated with Tnemec N140-1211 epoxy (complies with NSF 61). See reverse side for drawing of ductile Stem Guide; drawing of stainless Stem Guide available on request.

Stem Guides are generally recommended at 6' to 8' intervals.

END CAP DESIGN of ductile iron Stem Guide provides a safety restraint for large or unwieldy stems during installation or maintenance

USE 3/4" BOLTS for mounting to wall, on centers from 11-3/4" to 15-3/4"

SPLIT BUSHINGS simplify the installation of large diameter extension stems

316 Stainless Steel Version



Ductile Iron

Trumbull Item No.	Adjustment Range	For Stem Diameters	Weight
367-6960	2-3/4" to 17-1/4" *	2" to 4"	38.65 lbs.
367-2454	2-3/4" to 17-1/4" *	4" to 6-1/2"	38.65 lbs.

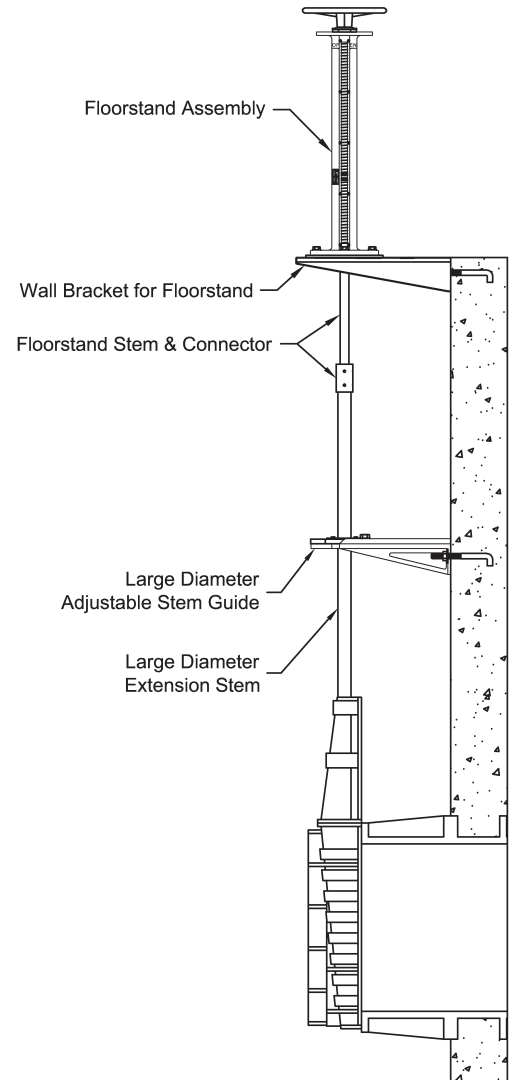
316 Stainless Steel

Trumbull Item No.	Adjustment Range	For Stem Diameters	Weight
367-2463	4" to 18" *	2" to 4"	38.50 lbs.
367-2464	4" to 18" *	4" to 6-1/2"	41.50 lbs.

* Adjustment range dependent on stem diameter

Bushings are also available in:

- No-lead brass, per C89833
- Ultra High Molecular Weight Polyethylene (UHMWPE)
- NSF 61 approved polymer



Typical installation

Ordering Instructions

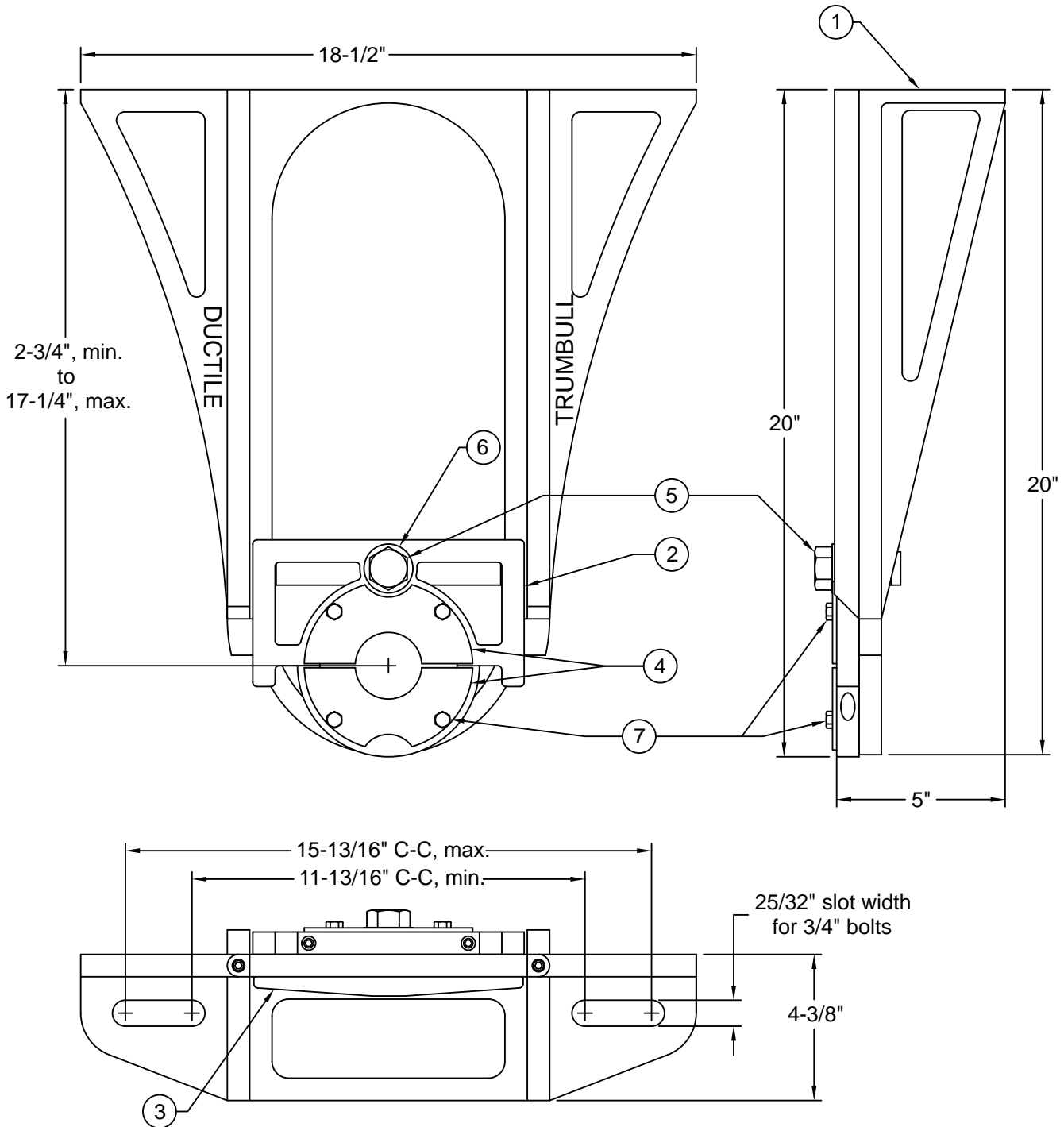
1. Quantity required
2. Trumbull item number
3. O.D. of stem being used, or desired bushing material & hole size

Note that a 2-1/8" bore diameter bushing supplied if size is not specified.

Item	Part	Material
1	Base	Ductile Iron
2	Arm	Ductile Iron
3	Clamp	Ductile Iron
4	Bushing	Bronze (optional materials available)
5	Bolt	5/8" x 4", Hex Head, Stainless Steel
6	Washer	1-1/2" O.D., Stainless Steel
7	Screw	1/4"-20 U.N.C., Stainless Steel

All ductile iron components are coated with Tnemec N140-1211, NSF 61 compliant.

Weight of assembly: 43#



Drawn:	Drawing Revision:	
Date	Rev.	Date
8/23/99	j	04/07/2015

TRUMBULL INDUSTRIES
P.O. Box 1556
1040 N. Meridian Rd.
Youngstown, Ohio 44501

Drawn to Scale
LARGE BORE STEM GUIDE