

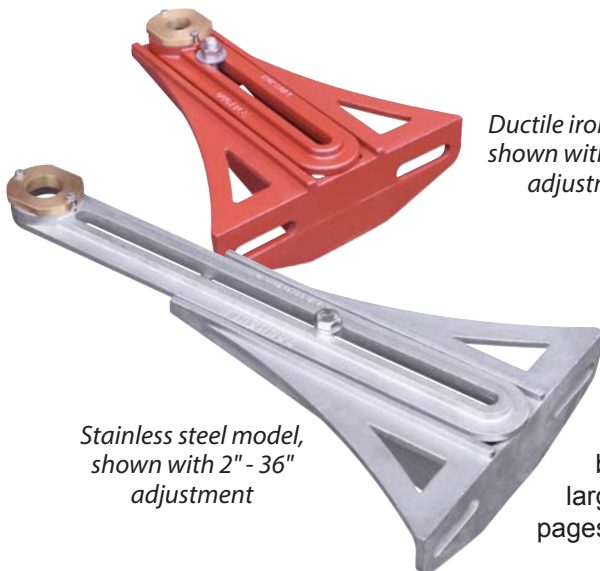
Adjustable Stem Guides

Ductile Iron or Stainless Steel

TRUMBULL STEM GUIDES are designed for installation in treatment plants and pump stations to provide support for valve extension stems. These Stem Guides are adjustable for stems as close to the wall as 2", or as far away as either 26" or 36". All ductile iron castings coated with Tnemec N140-1211 epoxy (complies with NSF 61). See reverse side for drawing.

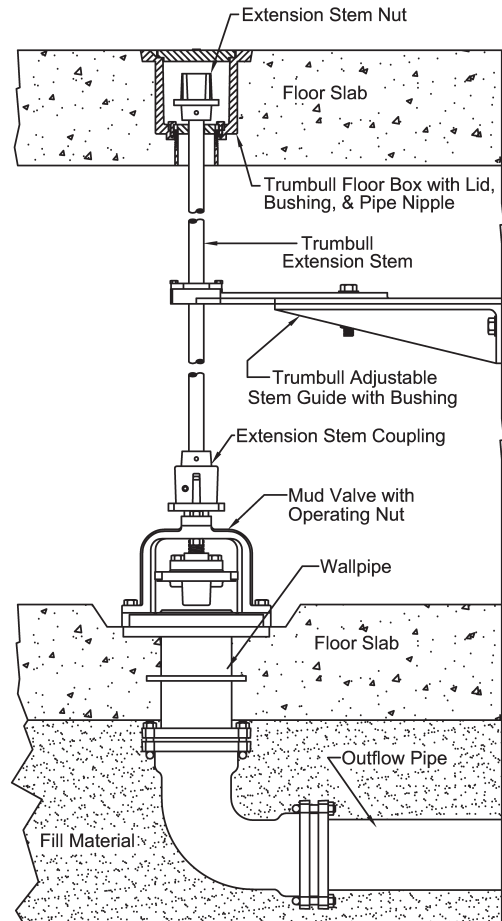
Adjustment Range	Ductile Iron		316 Stainless Steel	
	Trumbull Item No.	Weight	Trumbull Item No.	Weight
2" to 26"	367-4960	24.35 lbs.	367-5960	24.80 lbs.
2" to 36"	367-4970	27.90 lbs.	367-5970	28.70 lbs.
36" to 48"	367-4974*	38.00 lbs.	367-5974*	37.00 lbs.

* Adjustable arm for 36" to 48" range will be fabricated. Stem Guides for stems up to 72" away from wall can be fabricated from either carbon steel or stainless steel, please inquire.



Ductile iron model, shown with 2" - 26" adjustment

Stainless steel model, shown with 2" - 36" adjustment



Typical Stem Guide installation

Stem Guides are generally recommended at 6' to 8' intervals. Bronze bushings can be drilled up to a 2-1/8" bore diameter for 2" O.D. stems. By removing the bushing larger stems can be accommodated, up to 2-3/8" O.D. See pages G-19 and G-20 for Stem Guides for larger diameter stems.

Ordering Instructions

1. Quantity required
2. Provide the Trumbull item number for the model you require (shown above)
3. O.D. of stem being used, or desired bushing material (see note on right) & hole size

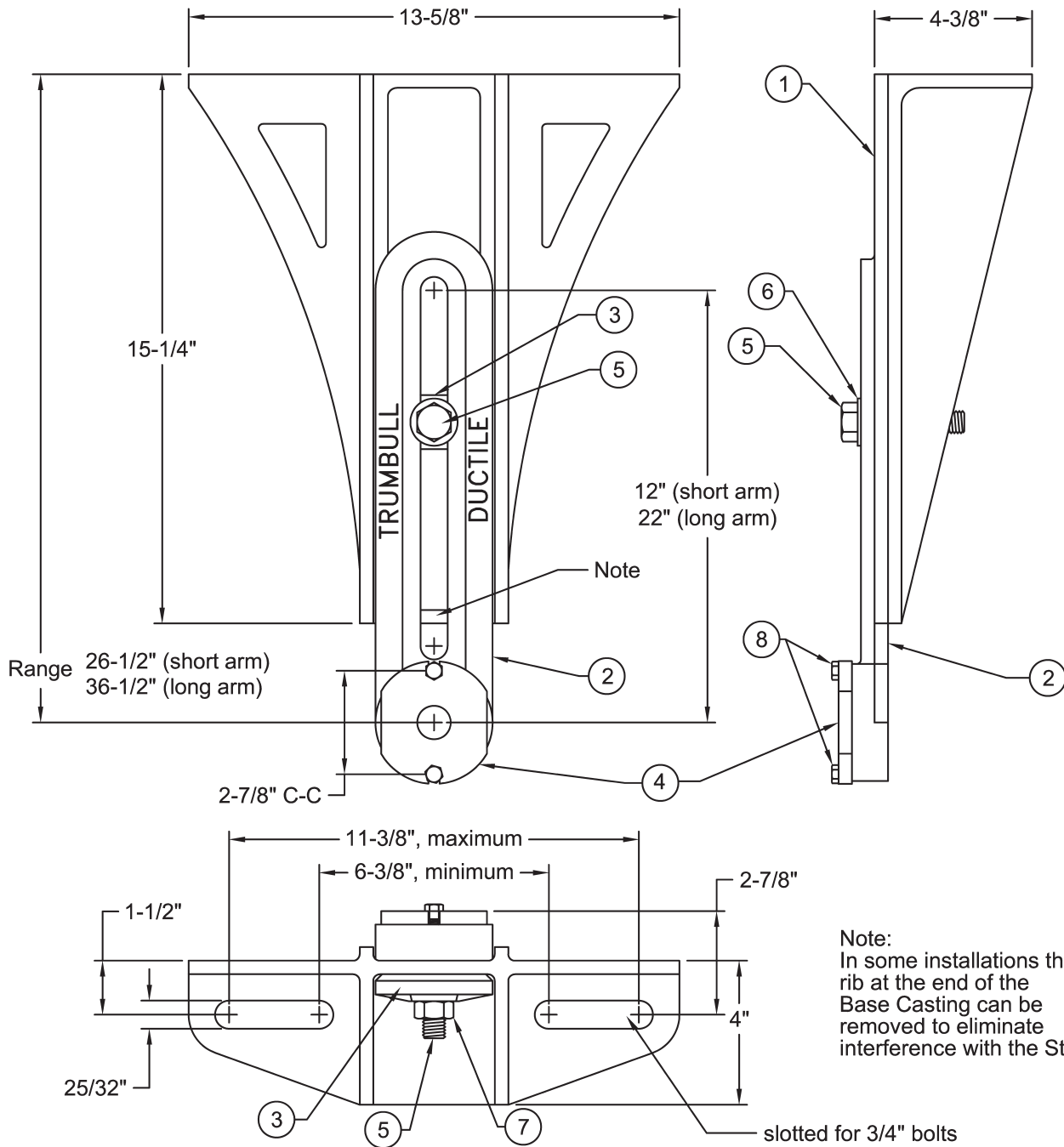
Bushings are also available in:

- No-lead brass, per C89833
- Ultra High Molecular Weight Polyethylene (UHMWPE)
- NSF 61 approved polymer (Ryton® R-4)

Item	Part	Material
1	Base	Ductile Iron or T316 Stainless Steel
2	Arm	Ductile Iron or T316 Stainless Steel
3	Clamp	Ductile Iron or T316 Stainless Steel
4	Bushing	Bronze
5	Bolt	5/8" x 4", Hex Head, Stainless Steel
6	Washer	1-1/2" O.D., Stainless Steel
7	Nut	5/8", Hex, Stainless Steel
8	Screw	1/4"-20 U.N.C., Stainless Steel

Item No.	Size	Weight
Ductile Iron Guides (65-45-12)		
367-4960	2"-26"	25#
367-4970	2"-36"	29#
Stainless Steel Guides (T316)		
367-5960	2"-26"	24#
367-5970	2"-36"	28#

All ductile iron components are coated with Themec N140-1211, NSF 61 compliant.



Note:
In some installations the rib at the end of the Base Casting can be removed to eliminate interference with the Stem.

Drawn:	Drawing Revision:	
Date	Rev.	Date
4/4/94	L	4/25/2015

TRUMBULL INDUSTRIES
P.O. Box 1556
1040 N. Meridian Rd.
Youngstown, Ohio 44501

Drawn to Scale
ADJUSTABLE STEM GUIDES