

Floor-Type Hydrostatic Tank Pressure Relief Valves (PRV's)

QUADROSEAL Design - Ductile Iron & Type 316 Cast Stainless Steel
gaskets

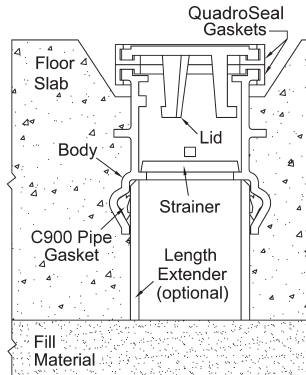
TRUMBULL FLOOR TYPE TANK PRESSURE RELIEF VALVES

are cast in the bottom of tanks in treatment plants to keep empty tanks from floating from an excess of groundwater beneath them. When this condition occurs, the hydrostatic pressure will open the cover of the valve allowing water to enter, thereby equalizing pressure inside and outside the tank and preventing it from floating.

They will start to open at less than one foot of head. Lugs in the body prevent the cover or strainer from becoming separated from the body of the valve due to flow. Both can be removed when necessary, however, by turning to the right or left.

Both Floor Type & Wall Type Valves use two Neoprene seating surfaces so if particles of grit lodge on them, the head of liquid in the tank will force the valve closed. These valves are for low seating or unseating pressure applications only.

Improved design uses C900 pipe gaskets in bell to securely retain PVC pipe to valve.



Floor-Type PRV's

Available in both high-strength ductile iron and type 316 cast stainless steel models.*

Size	Ductile Iron**		316 Stainless Steel	
	Domestic	Non-Domesic	Domestic	Non-Domesic
4"	1367-1558	367-1558	1367-1540	367-1540
6"	1367-1559	367-1559	1367-1544	367-1544

* For product weights, see drawing on Page G-30.

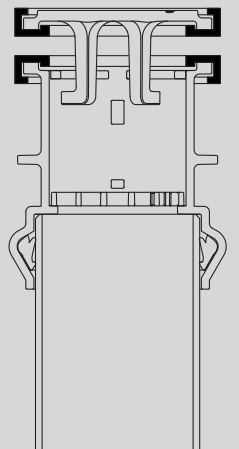
** Furnished with NSF-61, 2 part epoxy coating.

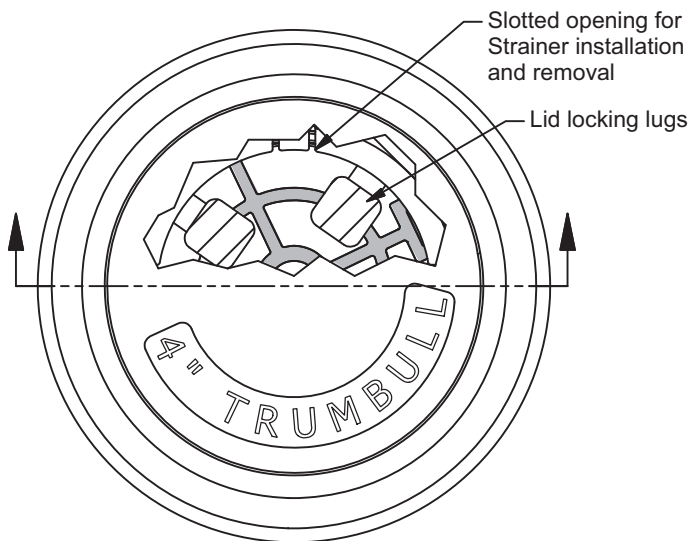
Floor type valves are cast in 4" and 6" sizes, in overall lengths of approx. 7-3/4". The lengths can be extended by inserting C900 PVC pipe into the underside of the valve. The PVC extensions can be furnished and inserted by Trumbull, to customer's exact length requirements, or in the field with customer supplied PVC pipe.

QUADROSEAL gaskets

Unique square design of QuadroSeal Gasket **SURROUNDS CASTING ON 4 SIDES** to prevent separation.

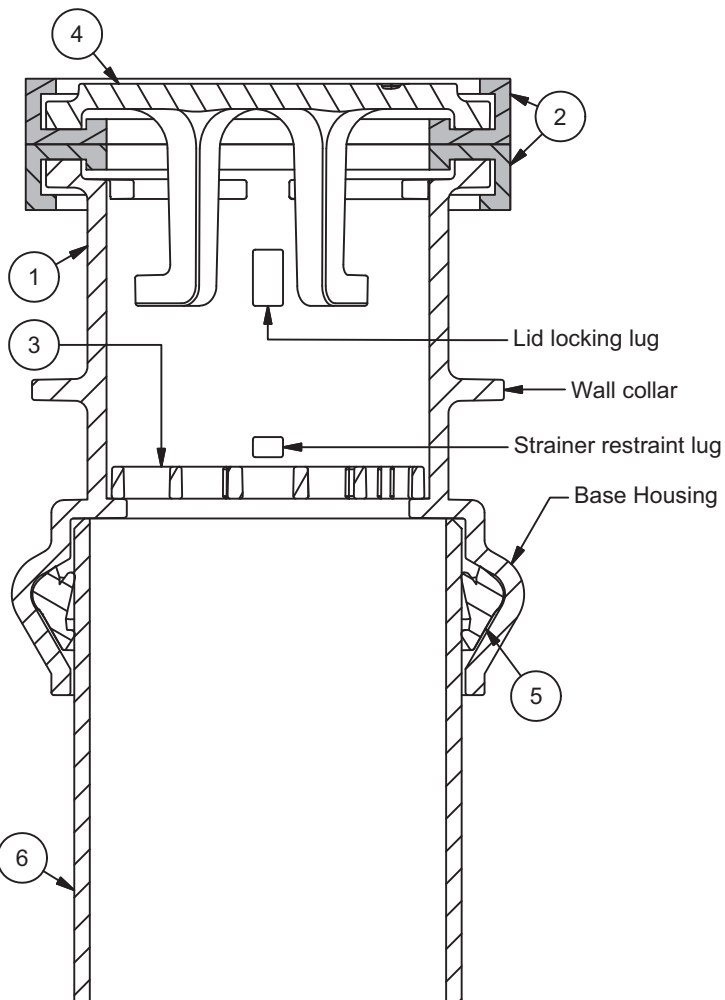
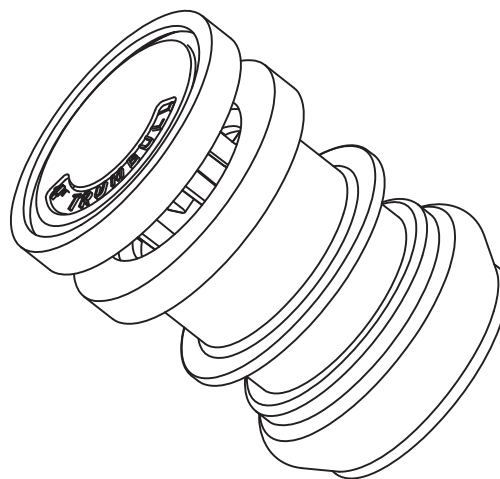
QuadroSeal design also prevents metal-to-metal contact that can cause seating surfaces of iron valves to corrode into a "frozen shut" position. See page G-33 for more information.





ITEM	DESCRIPTION	MATERIAL
1	Valve Body	Stainless Steel (T316) or Ductile Iron (65-45-12)
2	QuadroSeal Seat	Neoprene (50 durometer)
3	Strainer	Stainless Steel (T316) or Ductile Iron (65-45-12)
4	Lid	Stainless Steel (T316) or Ductile Iron (65-45-12)
5	C900 Pipe Gasket	SBR
6	Length Extender	C900 PVC Pipe

Note:
Ductile Iron components are coated with Tnemec N140-1211 epoxy (complies with NSF 61).



Size	Material	Part Number	Weight
4"	DI	367-1558	12.0 lb
4"	SS	367-1540	13.0 lb
6"	DI	367-1559	22.0 lb
6"	SS	367-1544	22.0 lb

Valve size	4	6
Overall height - closed	7-5/8"	7-59/64"
Lid lift distance	1"	1"
Seat O.D.	6"	8"
Base Housing O.D.	6-11/32"	8-5/8"
Fits C900 pipe size	4"	6"
Wall collar O.D.	5-27/32"	8-1/8"
Body seat face to Collar CL	3"	2-7/8"
Strainer flow area	7.3 sq. in	18.9 sq. in

Drawn:	Drawing Revision:	
Date	Rev.	Date
1/7/2013	--	--

TRUMBULL INDUSTRIES
P.O. Box 1556
1040 N. Meridian Rd.
Youngstown, Ohio 44501

Drawn to Scale
**TANK PRESSURE RELIEF VALVE
FLOOR TYPE**