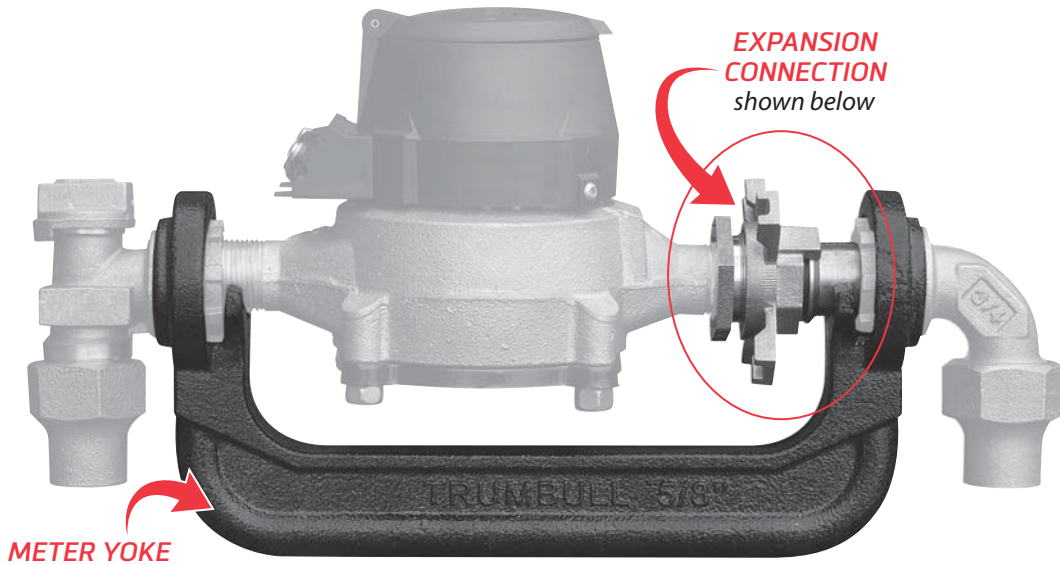


## Cast Iron Meter Yokes



**TRUMBULL METER YOKES** provide uniform spacing and alignment for setting water meters. Used in conjunction with Expansion Connections for easy installation and removal of meters.

Cast of gray iron, Class 25, with a rust-preventative black coating.

Trumbull Item No.	Meter Size	Length	Height	Weight
<b>367-5470</b>	5/8"	10-15/16"	4-1/8"	3.65 lbs.
<b>367-5469</b>	5/8" x 3/4"	10-15/16"	4-1/8"	4.20 lbs.
<b>367-5471</b>	3/4"	12-1/2"	4-1/8"	4.60 lbs.
<b>367-5472</b>	1"	14-3/4"	5-1/4"	7.30 lbs.

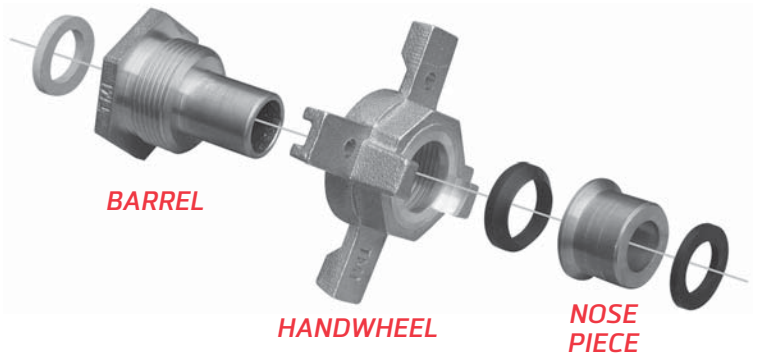
## Expansion Connections

**EXPANSION CONNECTIONS** are screwed onto one end of a meter and allow for easy installation and removal from Meter Yoke. Turning the Handwheel causes expansion into the rubber gaskets in the Yoke, creating a water-tight seal.

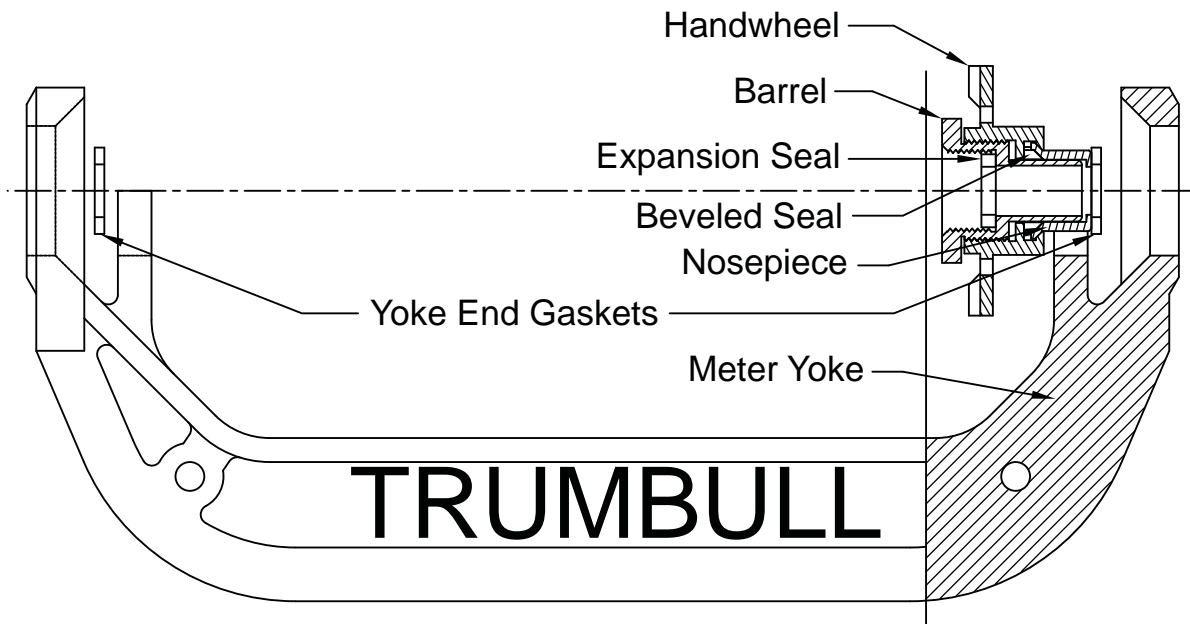
Nose Piece and Barrel are in contact with water and are cast from UNS C89833 brass. Lead content is less than .25%, in compliance with the Reduction of Lead in Drinking Water Act.

Handwheel does not contact water and is cast from UNS C83600. Both the flat seal yoke gaskets and bevelled seal gasket are EPDM. Expansion seal gasket between barrel and meter is fiber. All gaskets are NSF-61.

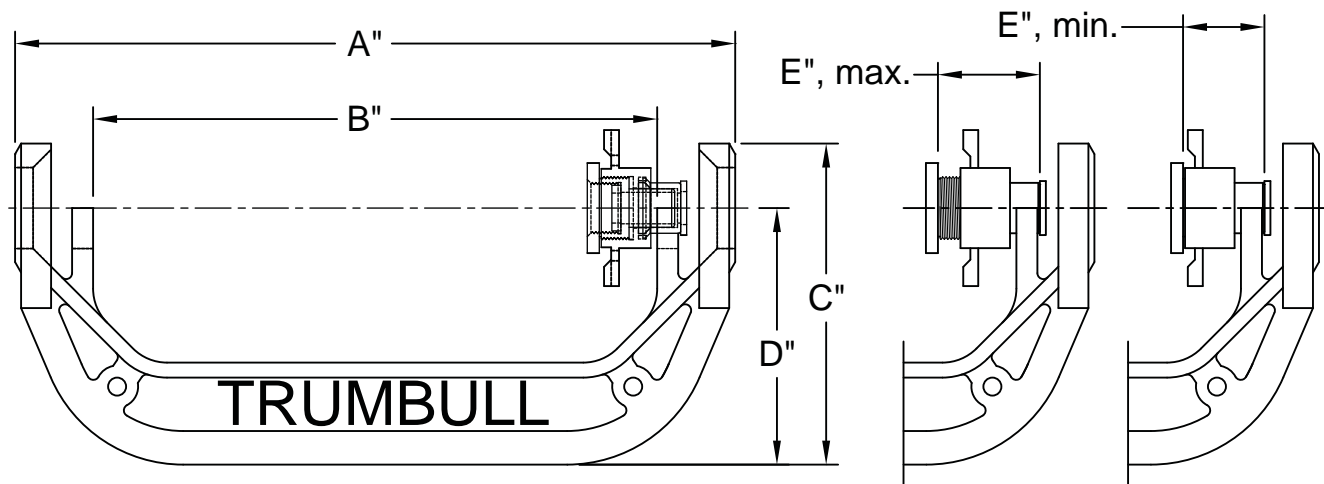
Dimensions of Yokes & Expansion Connections are consistent and interchangeable with other industry manufacturers.



Trumbull Item No.	Meter Size	Size	Type	Weight
<b>368-0630</b>	5/8"	5/8"	Handwheel	0.72 lbs.
<b>368-0632</b>	5/8" x 3/4" & 3/4"	3/4"	Handwheel	0.93 lbs.
<b>368-0635</b>	1"	1"	Handwheel	1.61 lbs.



Barrel and Nosepiece are in contact with potable water and will conform to UNS C89833. They will be marked "NL", and contain less than 0.25% lead. EPDM and fiber seals meet NSF-61. Handwheel is not in contact with potable water and will conform to UNS C83600.



Meter Size	Yoke						Expander			
	A"	B"	C"	D"	Wt., lbs.	Item No.	Bore Size	E", min. - max.	Wt., lbs.	Item No.
5/8"	10.69"	8.19"	5.16"	3.88"	3.9	367-5470	0.59"	1.44" - 1.75"	0.65	368-0630
5/8" x 3/4"	10.94"	8.34"	5.16"	3.88"	4.1	367-5469	0.72"	1.75" - 2.0"	0.85	368-0632
3/4"	12.31"	9.81"	5.16"	3.88"	4.4	367-5471	0.72"	1.75" - 2.0"	0.85	368-0632
1"	14.88"	11.75"	6.69"	5.34"	7.25	367-5472	0.97"	2.19" - 2.63"	1.65	368-0635

Material: ASTM Class 30 Gray Iron  
Black E-coat all surfaces.

Material:  
UNS C89833 - Barrel and Nosepiece (In contact with potable water. Lead content less than 0.25%.)

Drawn:	Drawing Revision:	
Date	Rev.	Date
5/19/2014	B	04/07/2015

**TRUMBULL INDUSTRIES**

P.O. Box 1556  
1040 N. Meridian Rd.  
Youngstown, Ohio 44501

Drawn to Scale

**METER YOKE and  
EXPANSION CONNECTIONS**