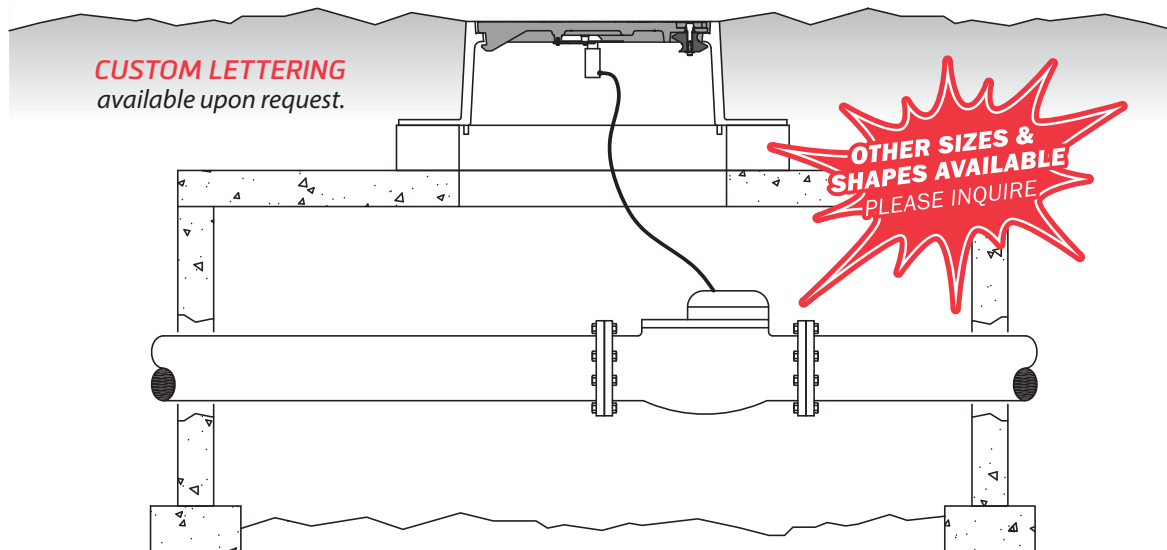


Polymer Manhole Lids for Large Meter Settings

Vaults for large meters are typically accessed through cast iron Manhole Lids. Trumbull offers a variety of **POLYMER** Manhole Lids rated for 40,000 lb. traffic loads. Polymer lids are “radio-friendly” and light weight, reducing back and finger injuries. They also reduce thefts common with cast iron lids.



Lids with 40,000 lbs. Load Rating*

| Trumbull Item No. | Clear Opening | Outside Diameter | Thickness | Fits Frame Models | Weight |
|-------------------|---------------|------------------|-----------|---|-------------|
| 367-5615** | 18" | 18-7/8" | 0.74" | 18" AY McDonald coil setter | 24.00 lbs. |
| 367-5688 | 18" | 19-3/4" | 2-3/16" | Baltimore, double paddle lock design | 33.00 lbs. |
| 367-5610 | 20" | 21-5/16" | 0.766" | Monitor cover & pit ring, Ford & AY McD | 26.90 lbs. |
| spec/ord | 21" | 22-3/4" | 1-11/16" | EJ 1020, Neenah 1580 | 45.70 lbs. |
| spec/ord | 21-1/2" | 23-3/4" | 1" | EJ 1450, Neenah 1771/1785 | 44.80 lbs. |
| 367-5685 | 22-3/4" | 25-1/4" | 2" | EJ 1700 | 63.60 lbs. |
| 367-5698 | 24" | 25-3/4" | 2-1/2" | Baltimore, double paddle lock design | 64.00 lbs. |
| 367-5527 | 24-3/16" | 25-1/2" | 1-1/4" | EJ 1040, 1045, 1048 & 1705 (CWD) | 54.00 lbs. |
| 367-5710 | 30" | 31-13/16" | 2-1/2" | Baltimore, double paddle lock design | 108.70 lbs. |

* Load tested per AASHTO M-306, H-20. Test report available upon request.

** Patent Pending

Other Lid Styles

| Trumbull Item No. | Dimensions | Thickness | Fits Frame Models | Weight | Load Rating |
|-------------------|----------------------|-----------|-------------------|------------|-------------|
| 367-5650 | Oval, 13" x 17-9/32" | 0.79" | MB-10 Oval | 14.80 lbs. | 25,000 lbs. |