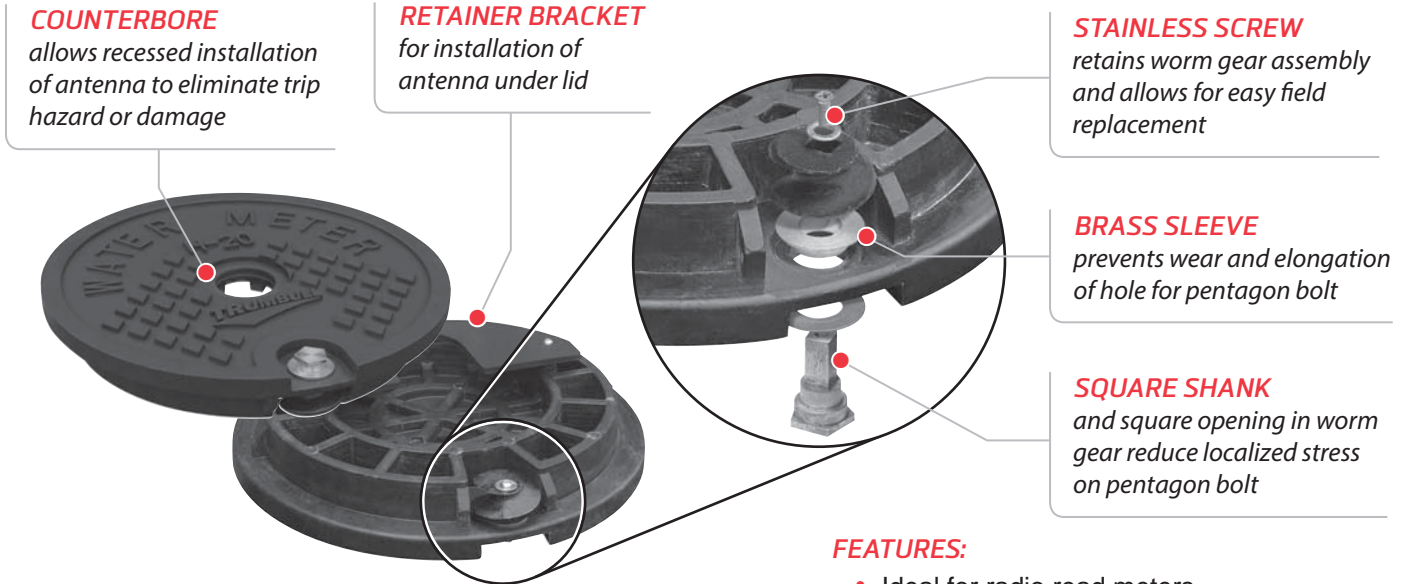


Polymer Meter Box Lids

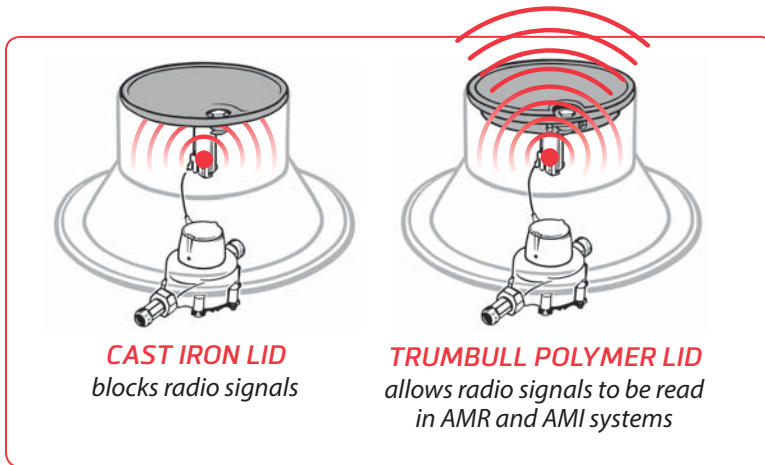


FEATURES:

- Ideal for radio read meters
- Worm gear with bronze pentagon bolt
- UV Resistant
- Available with optional magnet for use with valve and curb box locators
- Lids can be modified for various ERT's (contact a Trumbull Sales Rep for details)

ALSO AVAILABLE: (please inquire for more info)

- Other sizes and shapes
- Custom lettering
- Alternate locking mechanisms
- Polymer worm gears
- Snap-in adapter for Itron 100W
- Large pentagon bolt



Trumbull Item No.	Clear Opening	Outside Diameter	Thickness	Fits Frame Models	Weight	Load Rating
367-5518	11-1/2"	12-1/4"	0.70"	Ford A & C Covers	7.65 lbs.	
367-5519	11-1/2"	12-1/4"	0.70"	Ford A & C Covers, w/1-3/4" hole	7.60 lbs.	
367-5669	11-1/2"	12-5/8"	1"	Baltimore, Bingham & Taylor, & Vestal	10.74 lbs.	
367-5680**	15"	16-3/16"	1"	Ford C, AY McD., Bingham & Taylor, Balt.	14.20 lbs.	

* Load tested per AASHTO M-306, H-20. Test report available upon request. ** Overlapping style lid

Trumbull Item No.	Clear Opening	Outside Diameter	Thickness	Fits Frame Models	Weight	Load Rating
367-5764	11-1/2"	12-1/4"	0.70"	Ford A & C Covers	3.36 lbs.	20,000 lbs.
367-5767	11-1/2"	12-5/8"	9/16"	Baltimore, Bingham & Taylor, & Vestal	3.36 lbs.	20,000 lbs.