

"Rite-Hite" Adapters

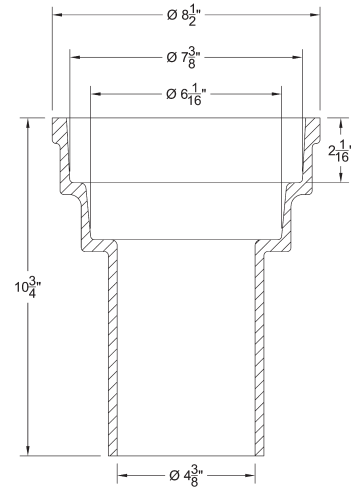
Slide-Type & Screw-Type

Provides a method for adjusting valve boxes to pavement level.



Slide-Type "Rite-Hite"

Trumbull Item No.	Adjustment Range	Weight
367-5050	2-1/2" - 8"	16.00 lbs.



Usage Recommendations for SLIDE-TYPE Adapters

- If the existing valve box is too low, place the "RITE-HITE" inside the existing box, pour stiff cement mortar around it and push down until the "RITE-HITE" is flush with the pavement surface.
- If the existing valve box is too high, break off the top of the valve box and insert the "RITE-HITE". Then pour stiff cement mortar around it and push down until the "RITE-HITE" is flush with the pavement surface.

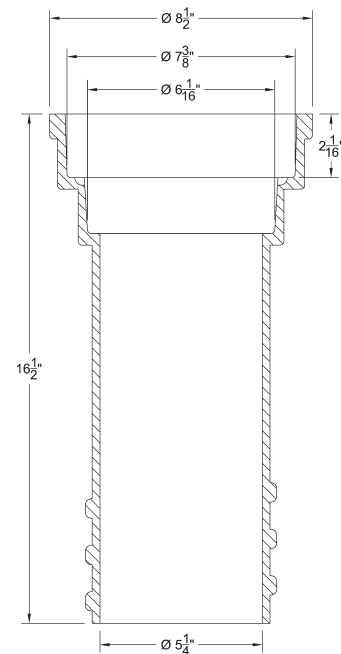


Screw-Type "Rite-Hite"

Paving Adapter No. T-69

This type adapter screws into the top section of the valve box.

Trumbull Item No.	Adjustment Range	Weight
367-5060	2-1/2" - 8"	25.00 lbs.



Adjustable adapters accept standard valve box covers, as made by Bingham & Taylor, Central Foundry, Tyler, etc.

Please refer to the separate product literature sheets for Valve Box Risers (1", 1-1/2", 2", 3", 4" and 6"), and for Trumbull Valve Box Lids.