

Sealed Floor Boxes

Available in Cast Stainless Steel & Carbon Steel

TRUMBULL SEALED FLOOR BOXES are ideal to prevent fluids from penetrating the floor slab from either direction. Top side is sealed by an o-ring, and bottom side can be sealed by use of optional packing gland. Overall length is 11-1/8", but the underside is tapped to accept 2-1/2" NPT steel pipe nipples for floors thicker than 11". When it's necessary to convert a Floor Box to thicker floors, use a 2-1/2" pipe nipple, 1/2" longer than the increase required, as the threads on the underside of the Floor Box are 1/2" deep.



SOCKET HEAD CAP SCREWS

furnished standard (tamper-resistant fasteners and installation tools also available)

O-RING

Seals Floor Box at top of floor (furnished as standard)

OVERALL HEIGHT

11-1/8" with lid

Floor Boxes

Material	Trumbull Item No.	Weight
Cast Carbon Steel*	367-4622	31.05 lbs.
Cast 316 Stainless Steel	367-4621	33.45 lbs.

* Carbon steel models are EDP coated.

Optional Accessories

Description	Trumbull Item No.	Weight
SS Packing Gland	spec/ord	2.10 lbs.
Brass Bushing	spec/ord	1.75 lbs.

See Pages F-7 and F-8 for Trumbull Valve Position Indicator installation in floors.

Other Optional Accessories

PACKING GLAND

with stainless steel follower seals bottom of Floor Box

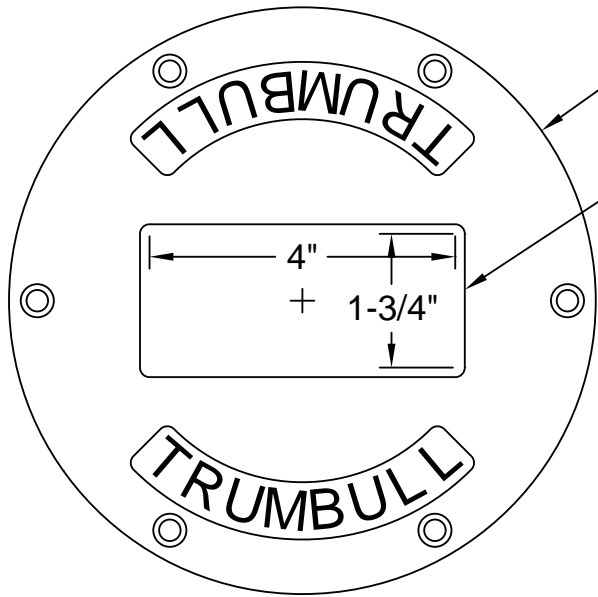
BRASS BUSHING

aligns extension stem when bottom seal is not utilized

POSITION INDICATOR

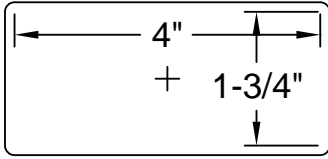
can be used with either brass bushing or packing gland





7-11/16", Lid diameter

Flat surface for custom nameplate or valve tag; consult Trumbull.



Lid Fasteners

Lid

O-Ring Lid Seal

Floor Box Canister

2" Operating Nut, optional

Position Indicator, optional

Fasteners, optional

Bushing, optional

Notes:

Canister, Lid, and fasteners are T316 stainless. Also available in cast carbon steel. Carbon steel model is EDP coated. Available plain, with Bushing, or Packing Gland. For Bushing, specify bore dia. desired. For Packing Gland, specify Stem Dia. and type of Packing Material required. Pipe nipple for extending length is not furnished. Lid O-Ring and fasteners are included. Position Indicator is a recommended option.

The bottom of the Floor Box casting is tapped with a 2-1/2" N.P.T. thread.

11-1/8" overall

Pipe Nipple optional

Valve Stem, optional

Drawn:	Drawing Revision:	
Date	Rev.	Date
5/29/2014	C	04/25/2015

TRUMBULL INDUSTRIES
 P.O. Box 1556
 1040 N. Meridian Rd.
 Youngstown, Ohio 44501

Drawn to Scale
SEALED FLOOR BOX
T316 STAINLESS STEEL