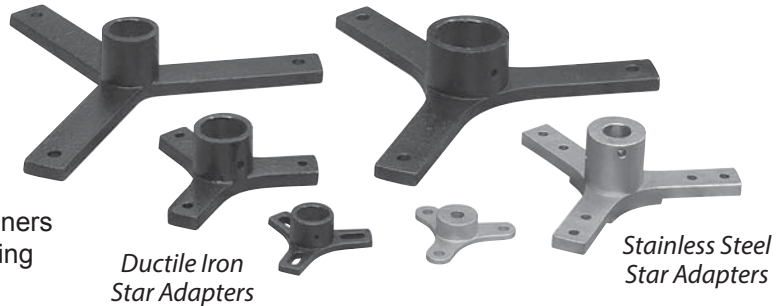


Direct-Mount "Star Adapters"

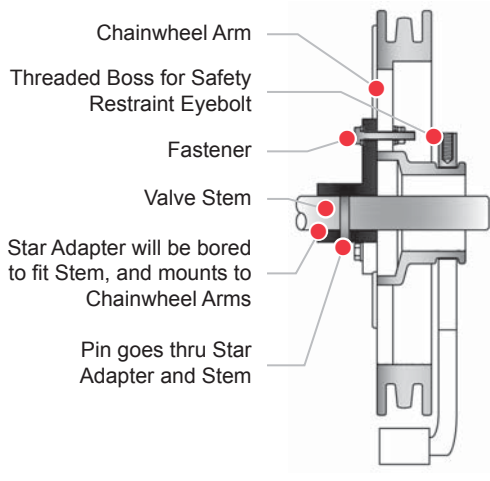
For both Sprocket-Type & Pocket-Type Chainwheels

STAR ADAPTERS are available for direct mounting of Chainwheels to valve, gear box, or actuator stem.

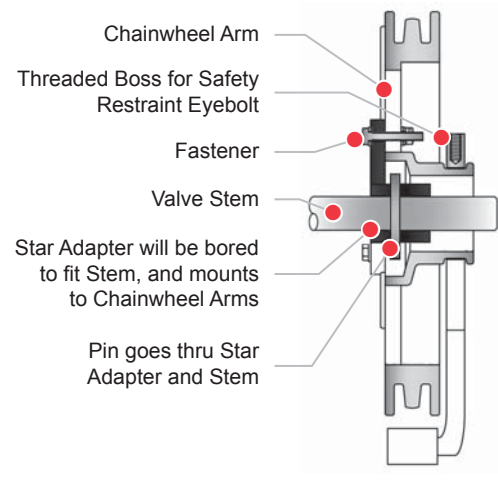
These adapters require pinning to the stem. Pilot holes are pre-drilled in the adapter for ease of installation on-site; the drilling of the stem is by customer. Star Adapters will be furnished with fasteners necessary to attach to Chainwheel, in lieu of clamping hardware normally furnished with Chainwheel.



External Assembly



Internal Assembly



Ductile Iron Star Adapter Dimensions - for Sprocket-Type Chainwheels

	Size 0.0	Size 1.0	Size 1.5	Size 2.0	Size 2.5	Size 3.0	Size 3.5	Size 4.0	Size 4.5	Size 5.0
DI Star Adapter	S	S	M	M	M	L & XL	L & XL	L & XL	L & XL	L & XL
Bore Size, standard	3/8"		1/2"			1/2"				
Hub O.D.	1-1/8"		1-5/8"			L 1-5/8" / XL 2-3/8"				
Optional Bore, max.	7/8"		1-3/8"			L 1-3/8" / XL 2-1/8"				
Hub Height	3/4"		1-3/16"			1-1/2"				

Stainless Steel Star Adapter Dimensions - for Pocket-Type Chainwheels

	Size 4	Size 6	Size 8	Size 12	Size 15	Size 22	Size 29
SS Star Adapter	S	S	L	L	L	L	L
Bore Size, standard	3/8"		3/4"				
Hub O.D.	1-1/16"		1-9/16"				
Optional Bore, max.	7/8"		1-3/8"				
Hub Height	1/2"		1-1/2"				