

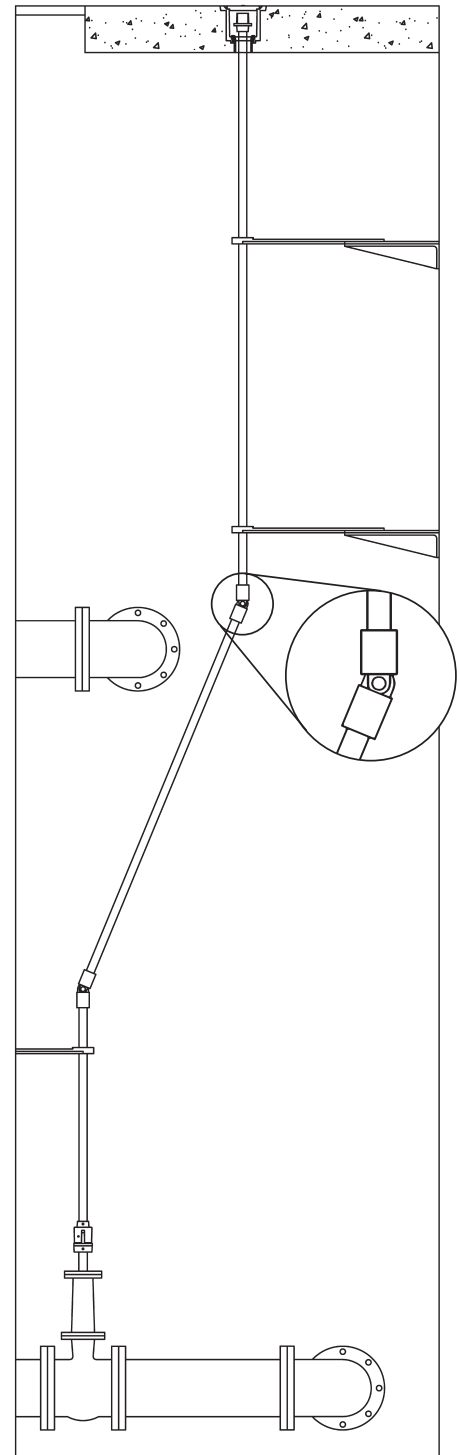
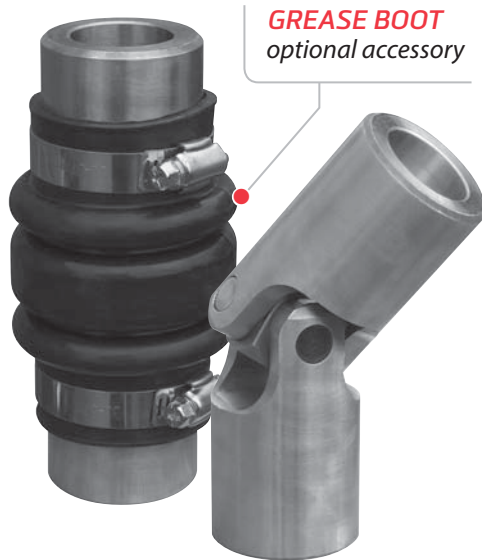
## Universal Joints

*For Alignment of Valve Extension Stems*

**TRUMBULL HEAVY-DUTY UNIVERSAL JOINTS** are the answer to many common misalignment problems often encountered in valve applications.

Access to valves in treatment plants is often blocked by piping, equipment, or structural obstructions, requiring operation from a location that is not in line with the valve stem. The use of Universal Joints can help solve this situation, as shown by the typical application figure at right.

An optional resilient boot is recommended to seal and protect the Universal Joint, while still permitting full motion. The boot is packed with water-resistant grease on-site, keeping out contaminants and maximizing service life. The boot is furnished with stainless steel retainer clamps. Grease is supplied by customer.



Typical installation

### Universal Joints\*

Material	Trumbull Item No.	Weight
Carbon Steel	<b>367-8352**</b>	3.65 lbs.
T304 SS	<b>367-8355**</b>	3.70 lbs.

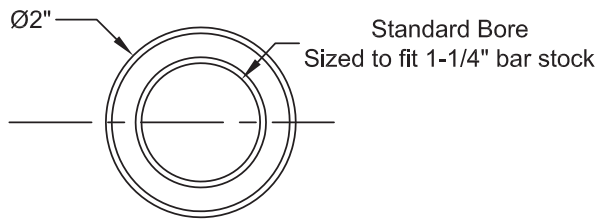
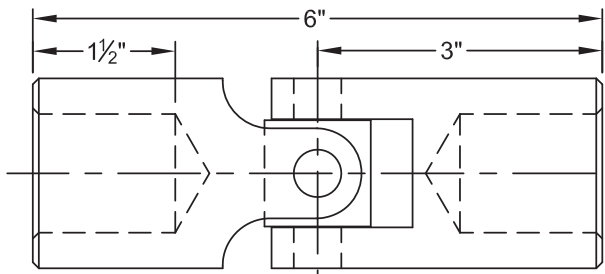
### Boot Assembly

Includes two clamps

Trumbull Item No.	Weight
<b>367-8360</b>	0.20 lbs.

\* Recommended maximum torque is 300 ft-lb. For applications with higher torque requirements, consult Trumbull. Maximum operating angle is 40°.

\*\* Item numbers shown are bored to accept 1-1/4" rod. Other bore sizes are available upon request.



**Notes:**

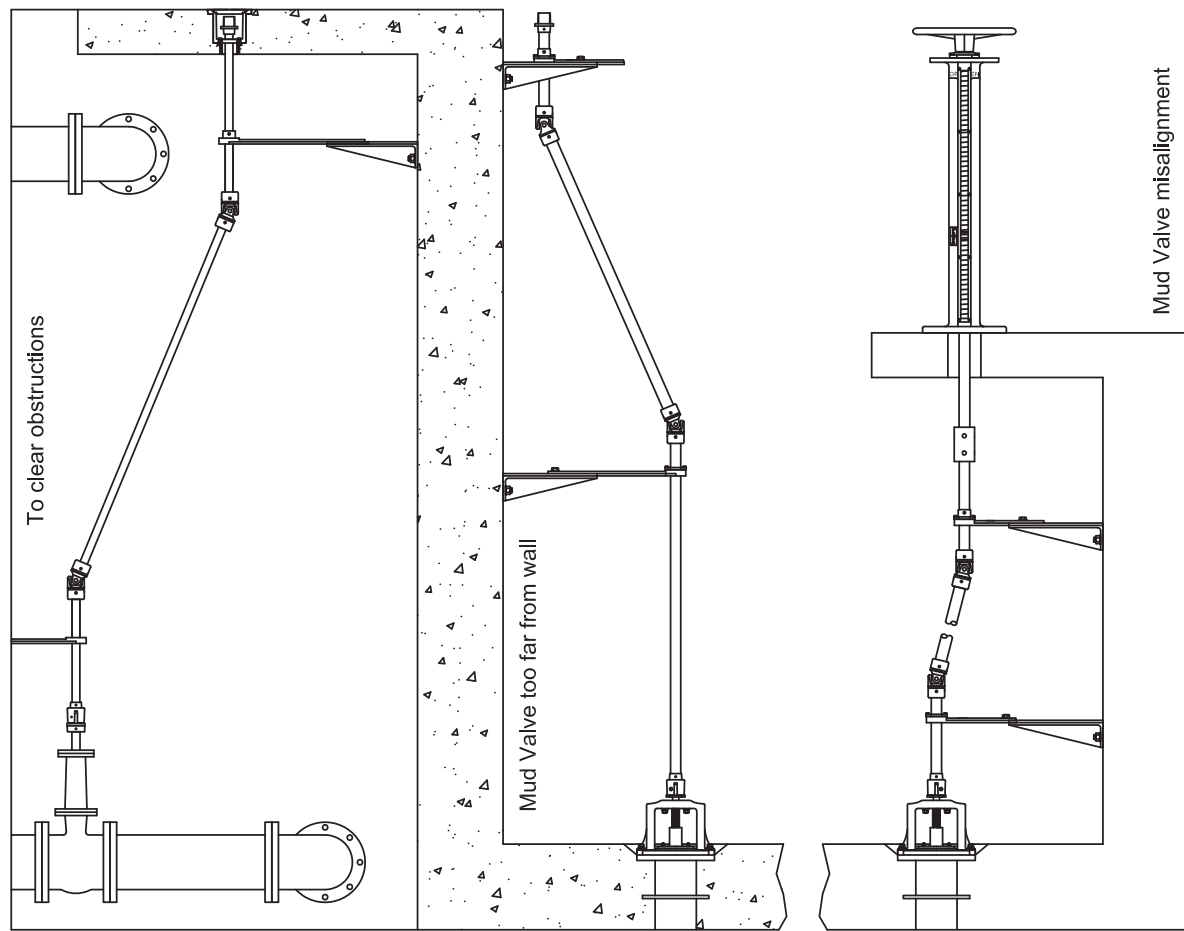
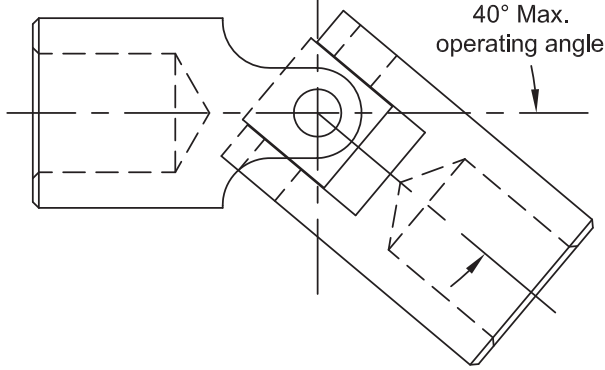
- 1.) Standard U-joint bore is sized to fit 1-1/4" bar stock.
- 2.) A resilient Boot is recommended to protect the working Knuckle of the joint, and can be packed with a water-proof lubricating grease for prolonged operating life. Grease by customer. The optional Boot includes a pair of stainless steel hose-type band clamps.
- 3.) The U-Joint is intended for manual operation. Contact Trumbull for use with electric actuators.

**Material:**

Carbon Steel, C1045 (Item #: 367-8352)  
 Stainless Steel, 304 (Item #: 367-8355)

**Load rating:**

U-Joint is capable of withstanding torsional loads up to 300 ft-lb. Consult engineering if a greater torsional load is required.



Drawn by: BJE	Drawing revision:	
Date	Rev.	Date
5/21/14	---	---

**TRUMBULL INDUSTRIES**  
 P.O. Box 1556  
 1040 N. Meridian Rd.  
 Youngstown, Ohio 44501

**Universal Joints**  
 Carbon Steel & Stainless Steel