

Valve Box Lids

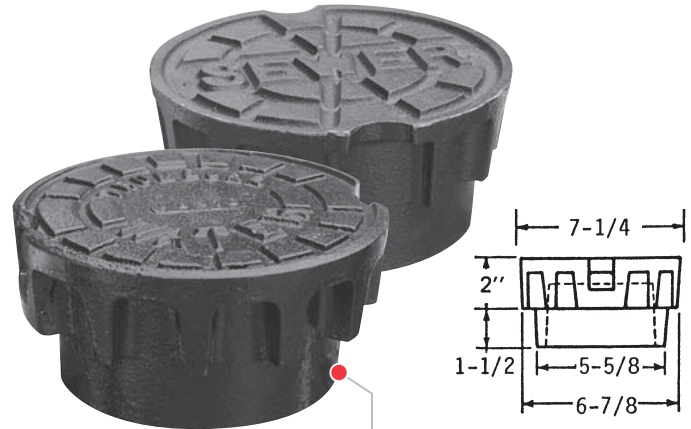
Standard & Locking Types

Standard Valve Box Lids

For 5-1/4" shaft Buffalo style valve boxes, TRUMBULL risers, "RITE-HITE" adapters, and Housing Adapters for Trumbull Valve Position Indicators.

Trumbull Item No.	Lettering	Weight
367-5044	WATER	13.00 lbs.
367-5046	SEWER	11.00 lbs.
367-5048	GAS	12.85 lbs.
367-5049	NON-POTABLE WATER	12.85 lbs.

Special lettering available! Call us for more details.



LONG SKIRT
 helps keep the lid from popping out of the valve box

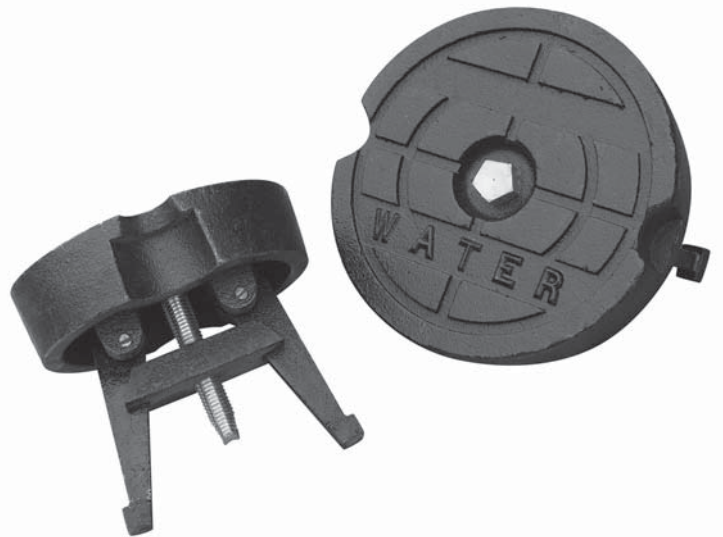
Locking Valve Box Lid

Locking Lids discourage unauthorized access to valve boxes. Tightening the standard brass pentagon screw causes the jaws to expand, bearing against inside of valve box.

Trumbull Item No.	Size	Lettering	Weight
367-5045	5-1/4"	WATER	12.00 lbs.

Usage Recommendation

Inside dimensions of valve boxes will vary by manufacturer. If lid is not tight enough, flip the wedge for a tighter fit.



Please refer to the separate product literature sheets for "RITE-HITE" Adapters, Valve Box Risers (1", 1-1/2", 2", 3", 4" and 6"), and Valve Position Indicators.