

## Valve Position Indicators

Buried Service - **TELESCOPIC** Extension Stems

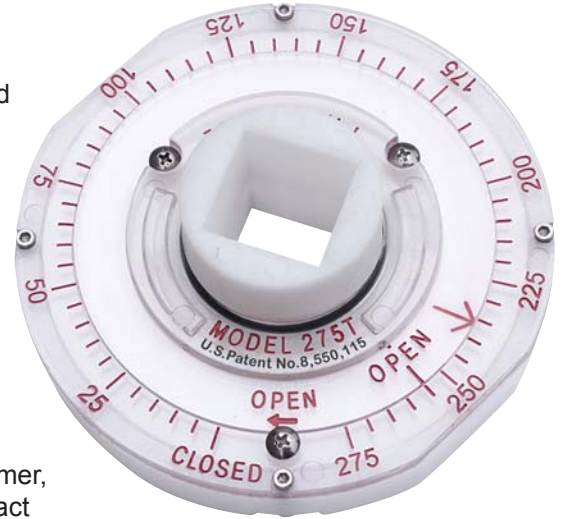


Optional **DEBRIS SHIELD** keeps valve box clean and Position Indicator legible

**POSITION INDICATOR**

**NO FIELD CUTTING, DRILLING OR PINNING REQUIRED**  
 WITH SQUARE TELESCOPIC EXTENSION STEMS!

- Eliminates broken valve stems caused by over-opening or over-closing
- Field-adjustable for any number of turns within the range of each model
- Constructed of heavy-duty, non-corrosive Dupont Delrin polymer, providing high-impact resistance even in cold climates
- Double O-ring seals keep out water and dirt
- 3rd-party tested to over 1 million revolutions
- Provided with stainless steel hardware
- Also available for use above ground in the floor or with Wall Brackets (see pages F-7 to F-10)
- Telescopic stem eliminates the need for precise field measurement of extension stems and provides for ground movement caused by freezing and thawing



### Ordering Instructions

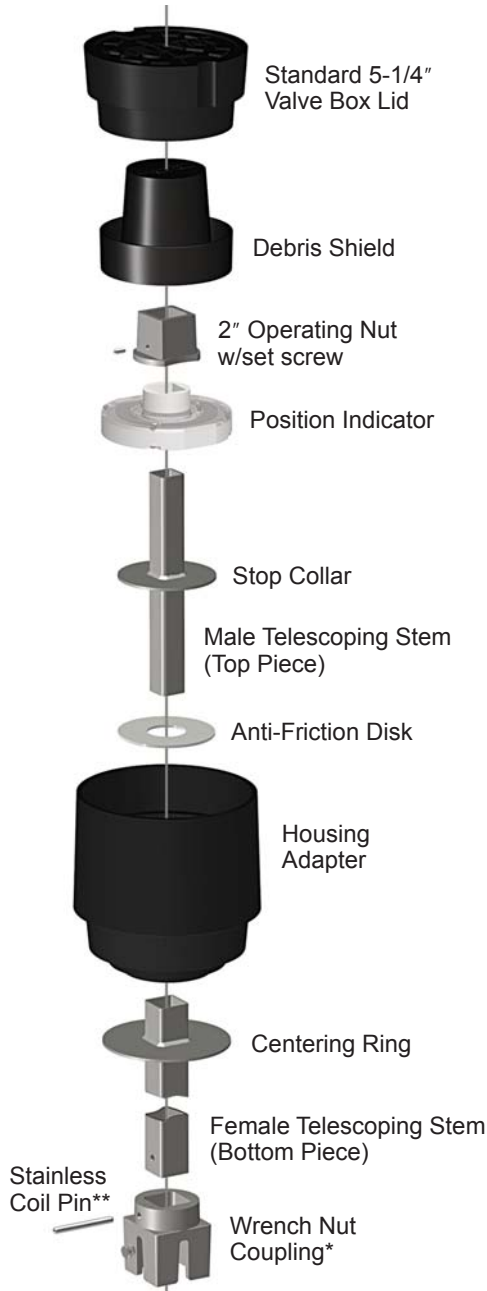
1. Specify direction of open (open left or open right)
2. Model required (available in 57, 275 or 870 turns)

Model Number	Number of Turns	Open Left	Open Right
		Trumbull Item No.	Trumbull Item No.
57T	0 - 57	<b>367-9394</b>	<b>367-9393</b>
275T	0 - 275	<b>367-9396</b>	<b>367-9395</b>
870T	0 - 870	<b>367-9400</b>	<b>367-9399</b>

3. Extension Stem required (telescopic)
  - a. Length required (provide "A" dimension on the illustration shown on right side of page F-4)
  - b. Carbon steel or stainless steel
4. Debris Shield, item **367-9415** recommended for buried service

## Exploded View

Telescopic Extension Stem  
for Buried Service

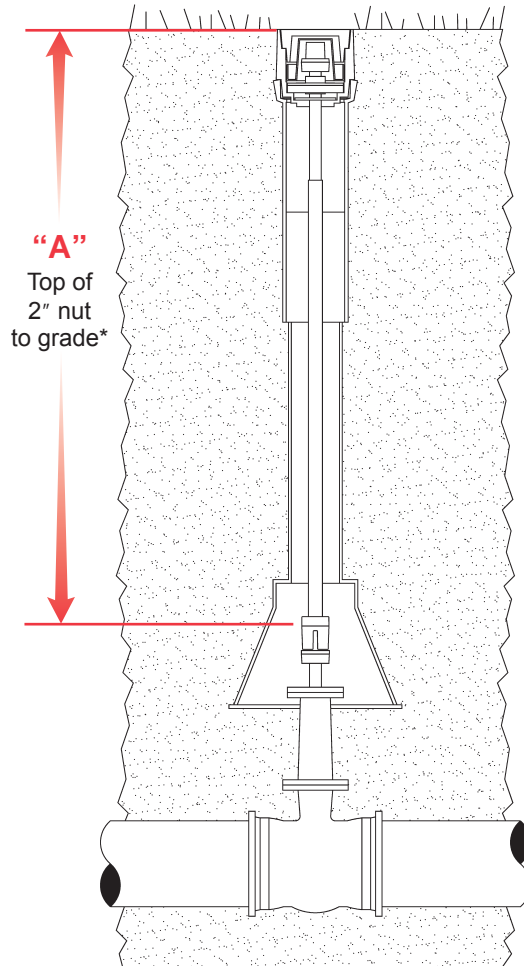


### TELESCOPIC EXTENSION STEM

#### Product Notes

\* Wrench nut coupling welded to stem at factory.

\*\* When bottom coupling is purchased separately, pin is provided.



\* The dimension from top of 2" valve nut to grade is used to determine Extension Stem length, per ordering instructions on page F-3.

## Extension Stem Adjustment Ranges & Torque Ratings

For Telescopic Extension Stems

Range of Dimension "A"		Square Telescopic Extension Stems		Torque In Ft/Lbs.
Minimum	Maximum	Length of 1-1/4" Top Part	Length of 1-1/2" Bottom Part	
3 ft.	4-1/2 ft.	30"	30"	300 ft-lb
4-1/2 ft.	6 ft.	30"	48"	300 ft-lb
6 ft.	7-1/2 ft.	30"	66"	300 ft-lb
7-1/2 ft.	9 ft.	30"	84"	300 ft-lb
9 ft.	10-1/2 ft.	30"	102"	300 ft-lb

Other stem ranges available upon request.