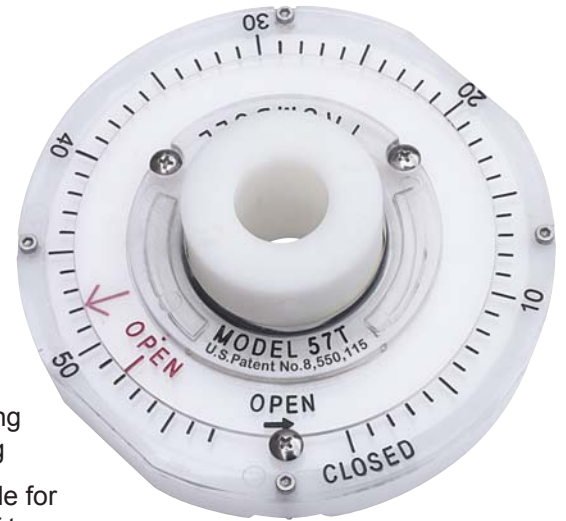


Valve Position Indicators

Installation with **WALL BRACKET** (Patent Pending)



WALL BRACKET
 Ductile Iron
367-2450
 Cast 316 Stainless
367-2460



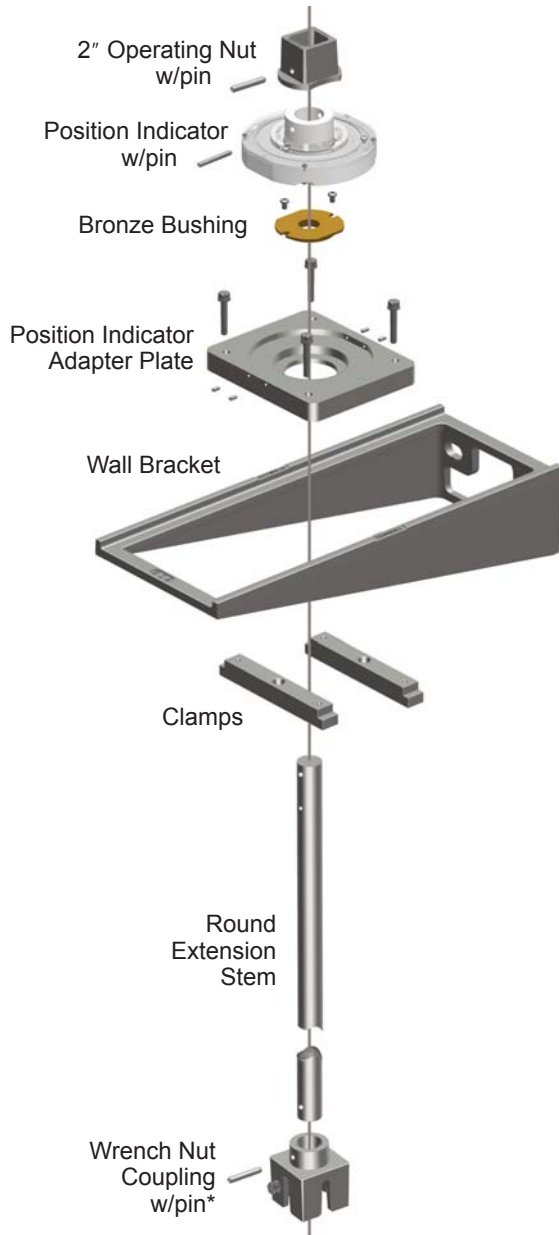
- Eliminates broken valve stems caused by over-opening or over-closing
- Field-adjustable for any number of turns within the range of each model
- Constructed of heavy-duty, non-corrosive Dupont Delrin polymer, providing high-impact resistance even in cold climates
- Double O-ring seals keep out water and dirt
- 3rd-party tested to over 1 million revolutions
- Provided with stainless steel hardware
- Also available for use in the floor (pages F-7 to F-8), and in Valve Boxes for buried service (pages F-1 to F-6)

Ordering Instructions

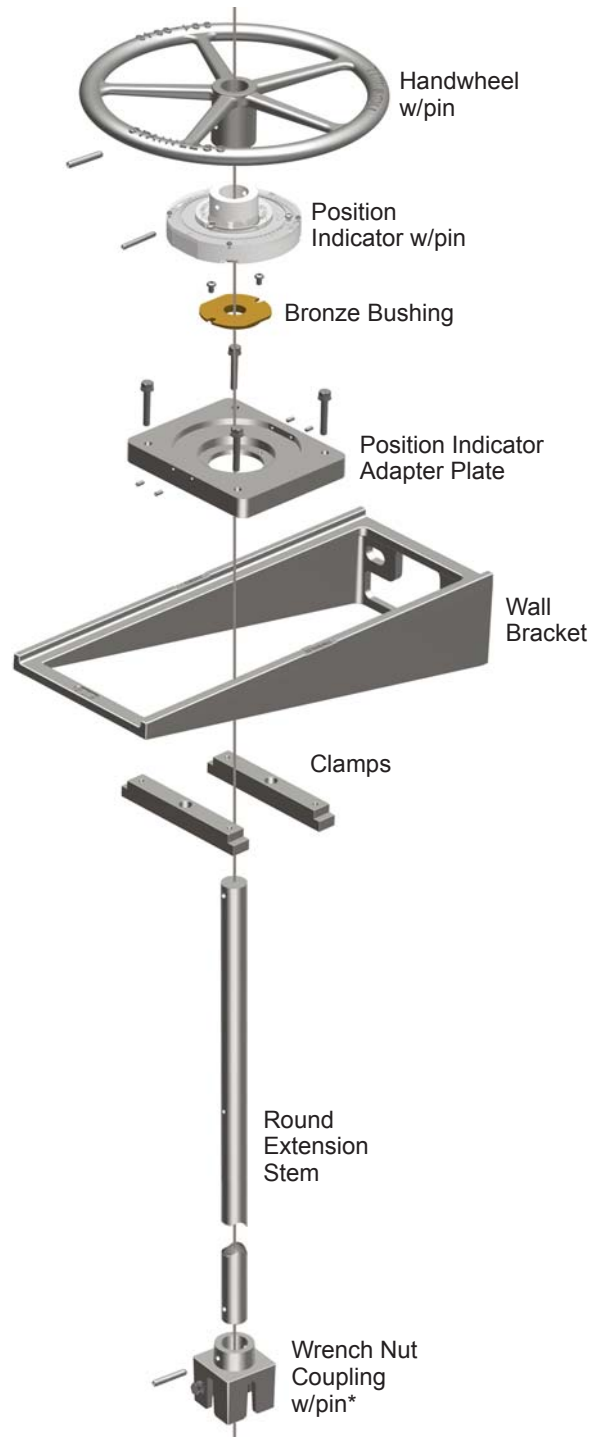
1. Specify direction of open (open left or open right)
2. Model required (available in 57, 275 or 870 turns)
3. Extension Stem required
 - a. Length required
 - b. Round (maximum OD of 1.75") see next page for details
 - c. Carbon steel or stainless steel

Model Number	Number of Turns	Open Left	Open Right
		Trumbull Item No.	Trumbull Item No.
57T	0 - 57	367-9404	367-9403
275T	0 - 275	367-9406	367-9405
870T	0 - 870	367-9410	367-9409

Exploded Views
 Round Extension Stems
 Installation with Wall Bracket



ROUND EXTENSION STEM
 with 2" Operating Nut



ROUND EXTENSION STEM
 with Handwheel

Product Note

* Wrench nut coupling normally furnished pinned to stem.