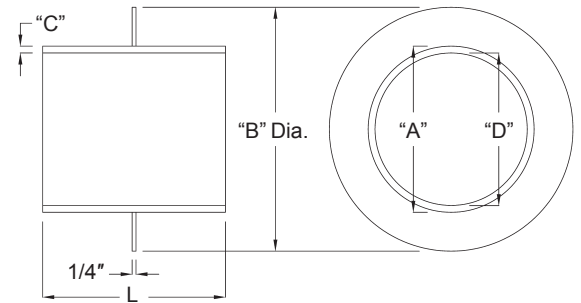


## Wall Sleeves

**TRUMBULL WALL SLEEVES** consist of a 1/4" thick steel flange continuously welded, both sides, to a heavy steel cylinder. Wall Sleeves are supplied with a rust preventive coating on all surfaces; special coatings, including galvanizing and epoxy, are available upon request.

Item No.	"A" Diameter	"B" Diameter	"C" Wall Thickness	"D" I.D.
TWS-0250-L	2.88"	6.88"	0.203"	2.47"
TWS-0300-L	3.50"	7.50"	0.216"	3.07"
TWS-0400-L	4.50"	8.50"	0.237"	4.03"
TWS-0600-L	6.63"	10.63"	0.280"	6.07"
TWS-0800-L	8.63"	12.63"	0.322"	7.98"
TWS-1000-L	10.75"	14.75"	0.365"	10.02"
TWS-1200-L	12.75"	16.75"	0.375"	12.00"
TWS-1400-L	14.00"	18.00"	0.375"	13.25"
TWS-1600-L	16.00"	20.00"	0.375"	15.25"
TWS-1800-L	18.00"	22.00"	0.375"	17.25"
TWS-2000-L	20.00"	24.00"	0.375"	19.25"
TWS-2200-L	22.00"	26.00"	0.375"	21.25"
TWS-2400-L	24.00"	28.00"	0.375"	23.25"
TWS-3000-L	30.00"	34.00"	0.375"	29.25"
TWS-3600-L	36.00"	40.00"	0.375"	35.25"
TWS-4200-L	42.00"	46.00"	0.375"	41.25"
TWS-4800-L	48.00"	52.00"	0.375"	47.25"



*All Trumbull Wall Sleeves are made to order, and made to your particular specifications. They are coated with black enamel coating as standard. Shown below with Themec N140-1211 epoxy.*

