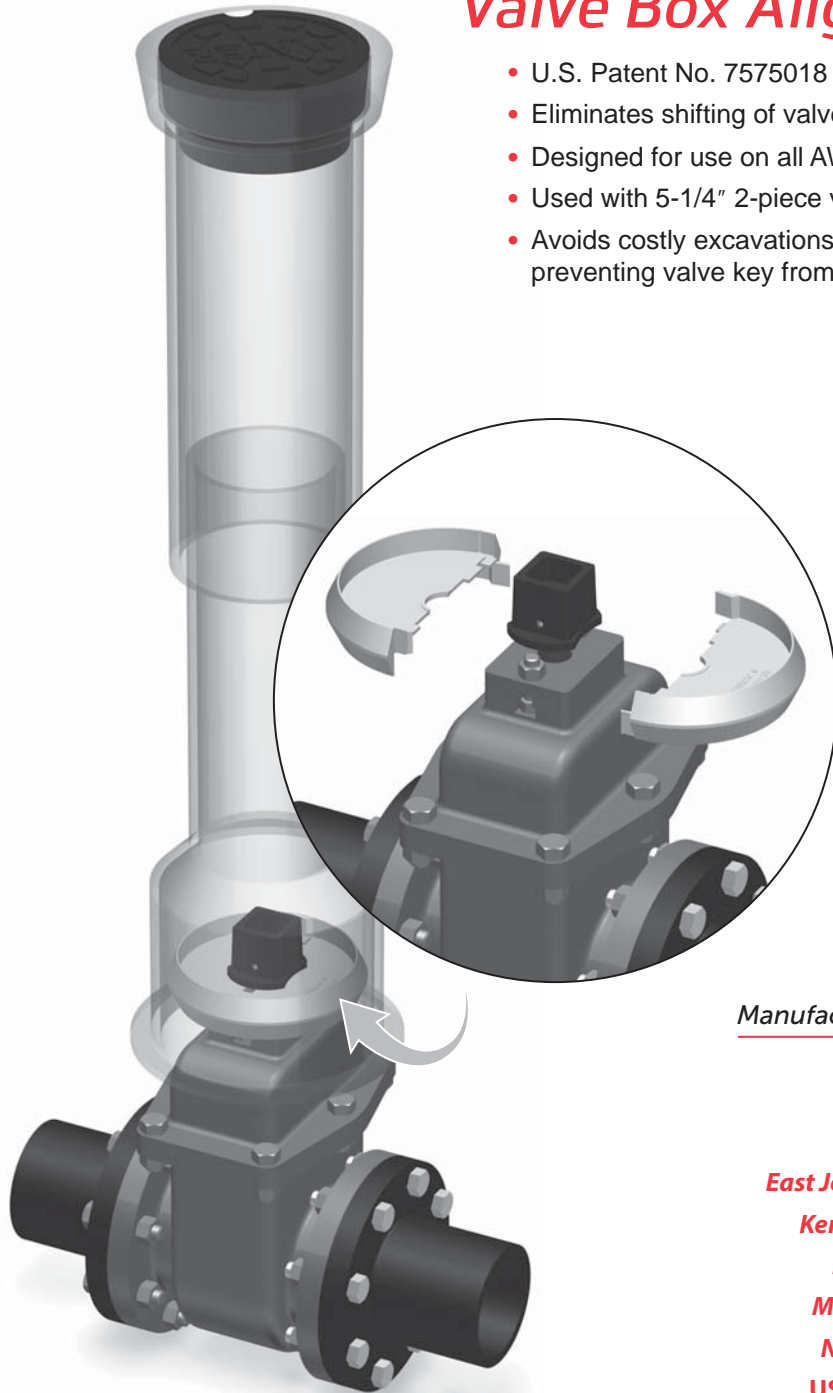




Valve Box Alignment Device

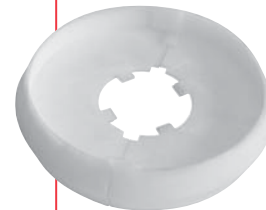
- U.S. Patent No. 7575018 and 8430116
- Eliminates shifting of valve box during backfill.
- Designed for use on all AWWA resilient wedge gate valves.
- Used with 5-1/4" 2-piece valve boxes.
- Avoids costly excavations when valve box shifts, preventing valve key from engaging the 2" square nut.



Ordering Instructions

1. Quantity required.
2. Order model required, using the chart below.

Model	Trumbull Item No.	Weight
#1	367-4850	0.30 lbs.
#2	367-4851	0.40 lbs.



Model #1



Model #2

Valve Manufacturer	Valve Size						
	2"	3"	4"	6"	8"	10"	12"
AFC	2	2	2	2	2	1	1
AVK	1	1	1	1	1	1	1
Clow	2	2	2	2	2	K1	K1
East Jordan	2	2	2	2	2	2	1
Kennedy	2	2	2	2	2	K1	K1
M & H	2	2	2	2	2	K1	K1
Mueller	2	2	2	2	2	2	1
NAPAC	2	2	2	2	2	2	2
US Pipe	2	2	2	2	2	2	2