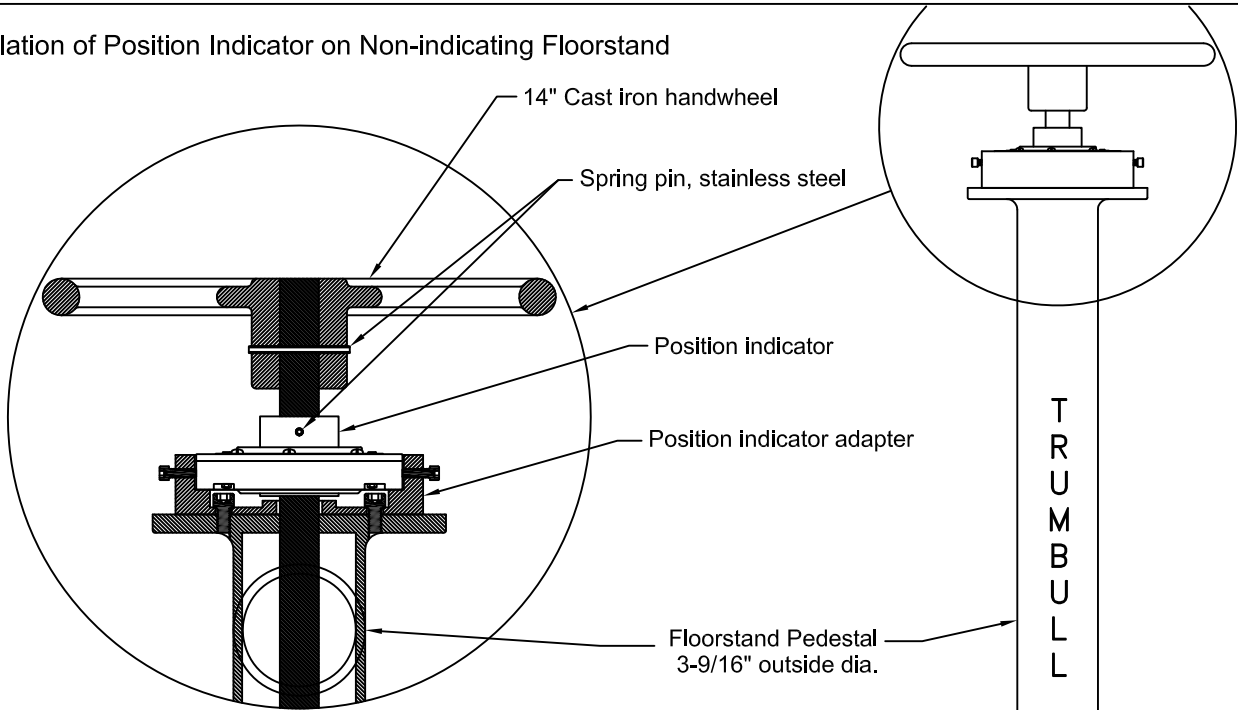
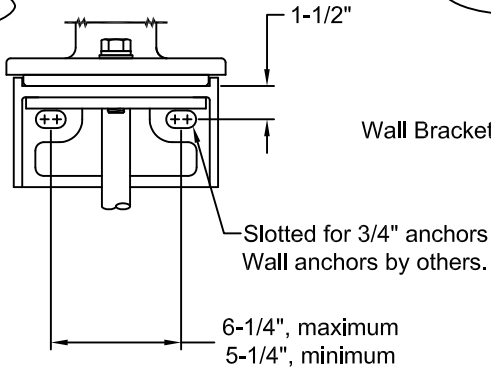


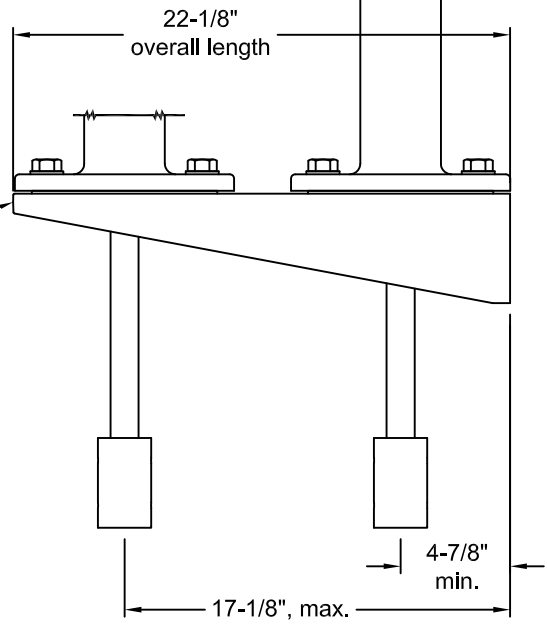
Installation of Position Indicator on Non-indicating Floorstand



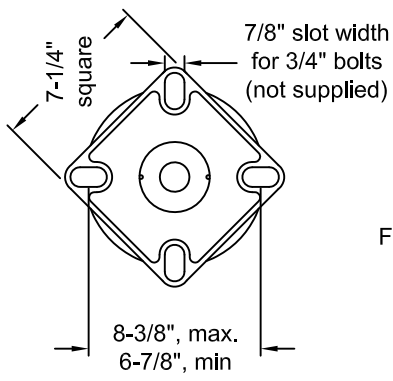
End View



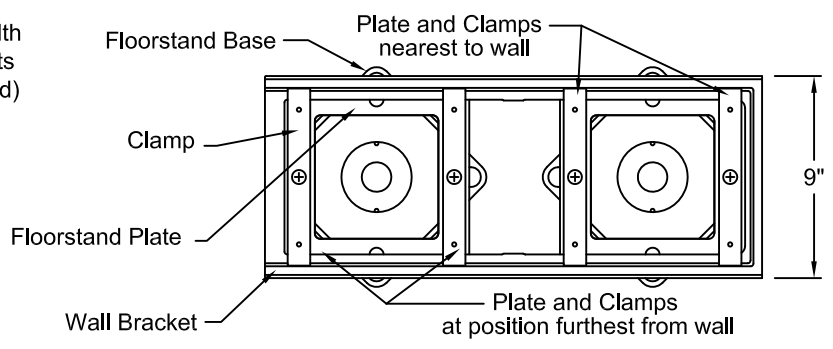
Side View



Floorstand Base Dimensions



Bottom View



Drawn:	Drawing Revision:	
Date	Rev.	Date
7/30/2012	A	8/15/2012

TRUMBULL INDUSTRIES
 P.O. Box 1556
 1040 N. Meridian Rd.
 Youngstown, Ohio 44501

Drawn to Scale
NON-INDICATING FLOORSTAND
36" DUCTILE IRON