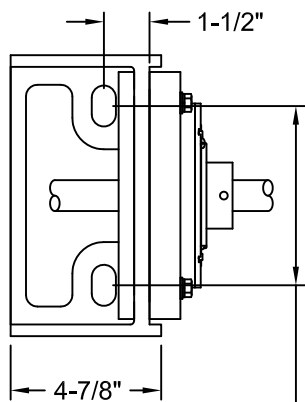
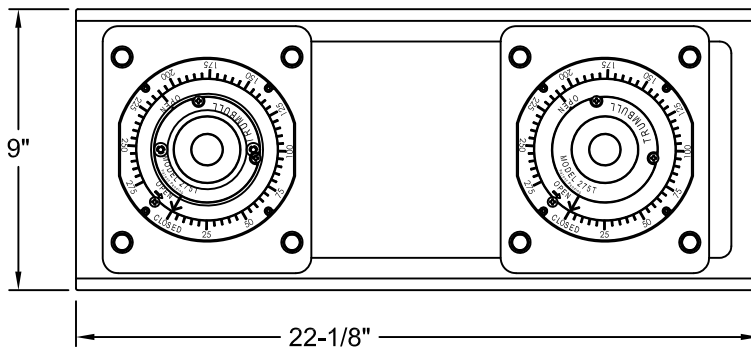


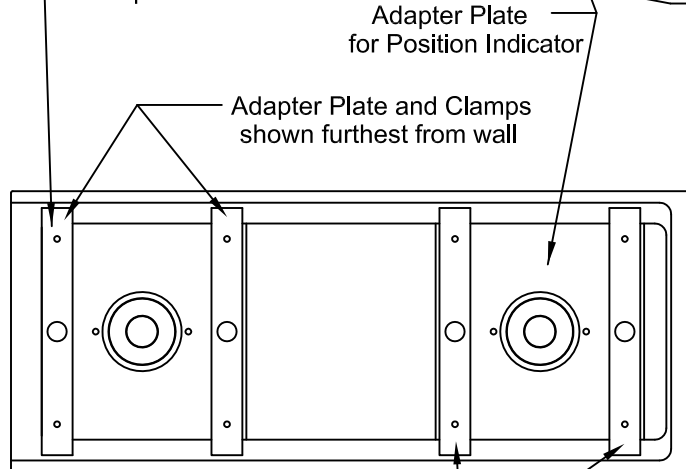
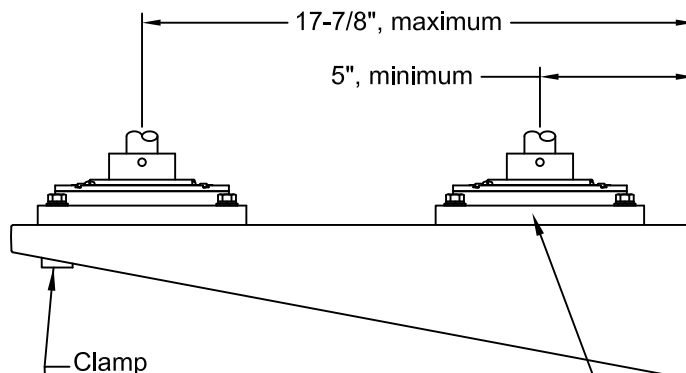
Installation of Valve Position Indicator on Ductile Iron Wall Bracket



6-1/4", maximum
5-1/4", minimum
Slotted for 3/4" anchors (by others)



Adjustment Range



Ductile Iron (65-45-12) Wall Bracket Assembly
Coated with Tnemec 140-1211, NSF61 Compliant

Item	Material	Weight
Wall Bracket	Ductile Iron 65-45-12	23.6#
Indicator Plate	Carbon Steel	11.1#
Bushing	Bronze	0.4#
Clamp Block	Carbon Steel	2.0#
Fastener Set	Plated Steel	0.3#

TRUMBULL INDUSTRIES

P.O. Box 1556
1040 N. Meridian Rd.
Youngstown, Ohio 44501

Drawn to Scale

**DUCTILE IRON WALL BRACKET
for VALVE POSITION INDICATOR**

Drawn:	Drawing Revision:	
Date	Rev.	Date
12/18/10	B	6/14/2012