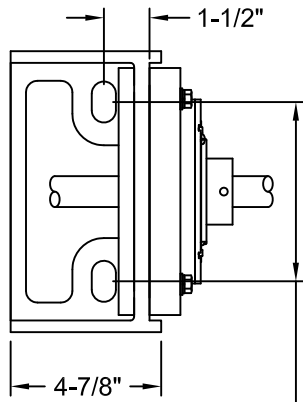
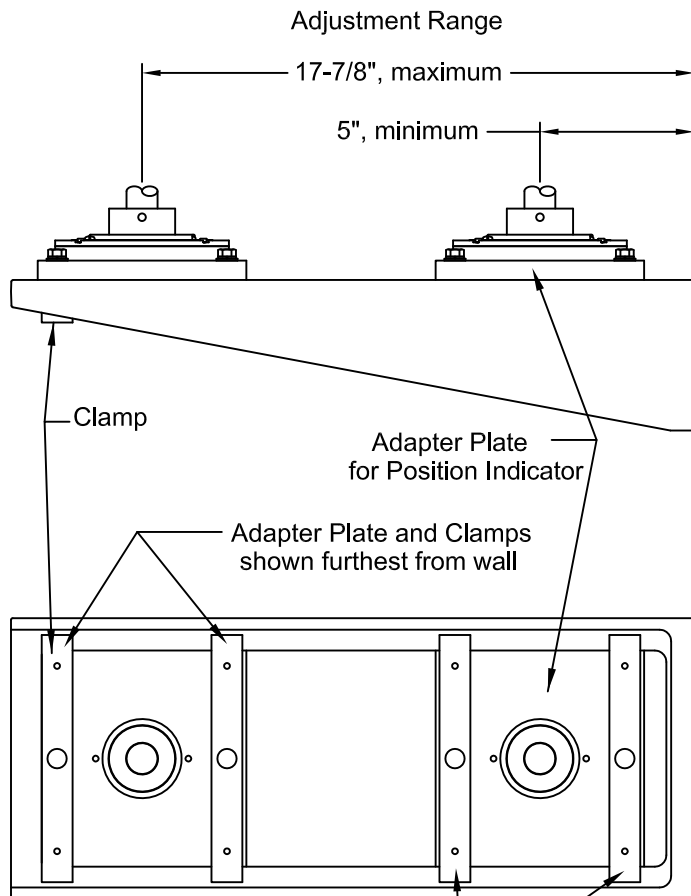
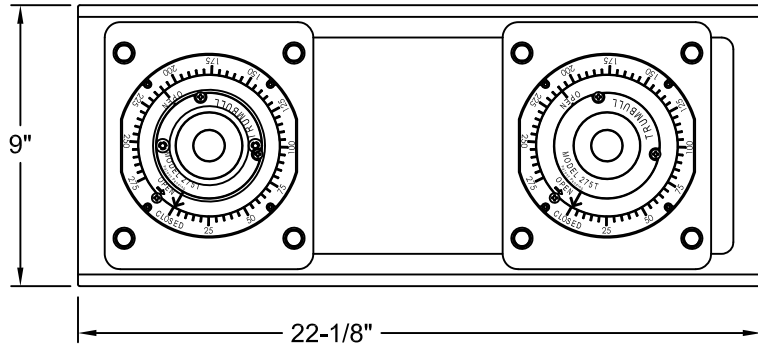


Installation of Valve Position Indicator on Stainless Steel Wall Bracket



6-1/4", maximum
5-1/4", minimum
Slotted for 3/4" anchors (by others)



T316 Stainless Steel Wall Bracket Assembly

Item	Material	Weight
Wall Bracket	T316 Stainless Steel	26.5#
Indicator Plate	T316 Stainless Steel	11.4#
Bushing	Bronze	0.4#
Clamp Block	T316 Stainless Steel	2.0#
Fastener Set	Stainless Steel	0.3#

TRUMBULL INDUSTRIES

P.O. Box 1556
1040 N. Meridian Rd.
Youngstown, Ohio 44501

Drawn to Scale

**STAINLESS STEEL WALL BRACKET
for VALVE POSITION INDICATOR**

Drawn:	Drawing Revision:	
Date	Rev.	Date
12/18/10	B	6/14/2012