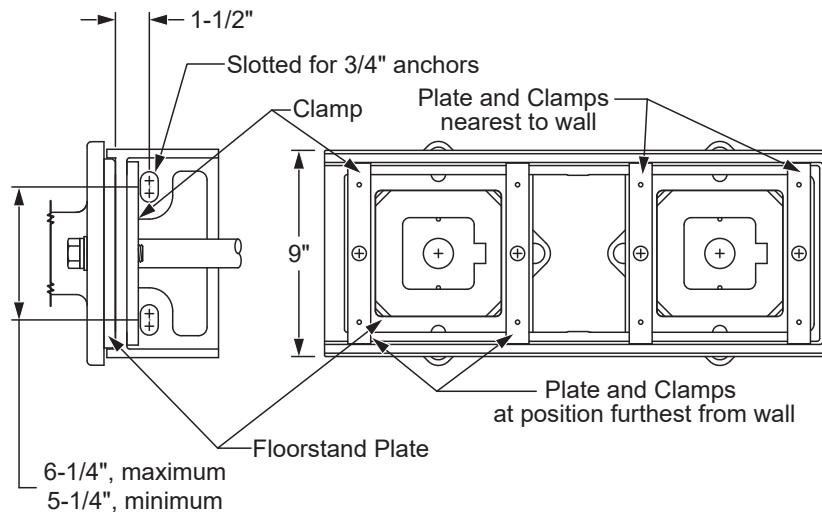
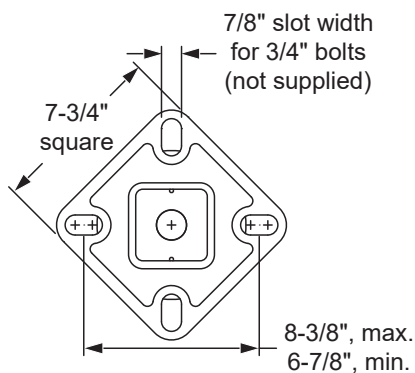
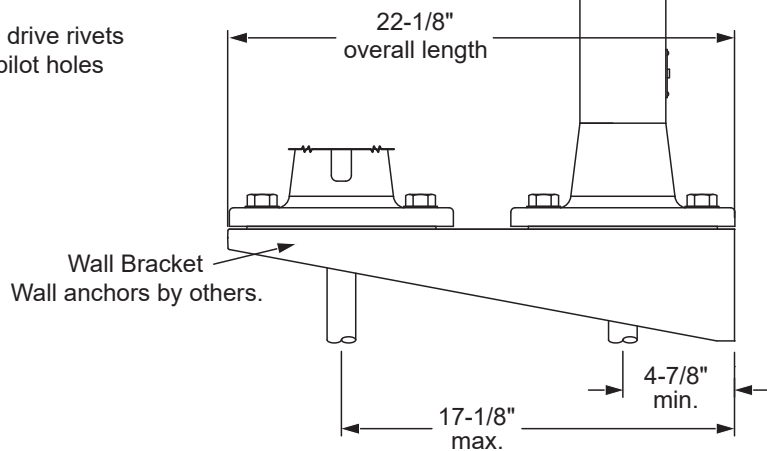


Installation of Floorstand on Wall Bracket



The Floorstand and Handwheel are ductile iron and coated with red primer.
The Wall Bracket is ductile iron; coating is Tnemec 140-1211, NSF61 compliant.

Indicating Floorstand
30" Ductile Iron
Drawn to Scale

Drawn:
FCN
05/20/08

Revision:
FCN
E 01/03/11

Trumbull Manufacturing, Inc.
Youngstown, Ohio
www.trumbull-mfg.com