

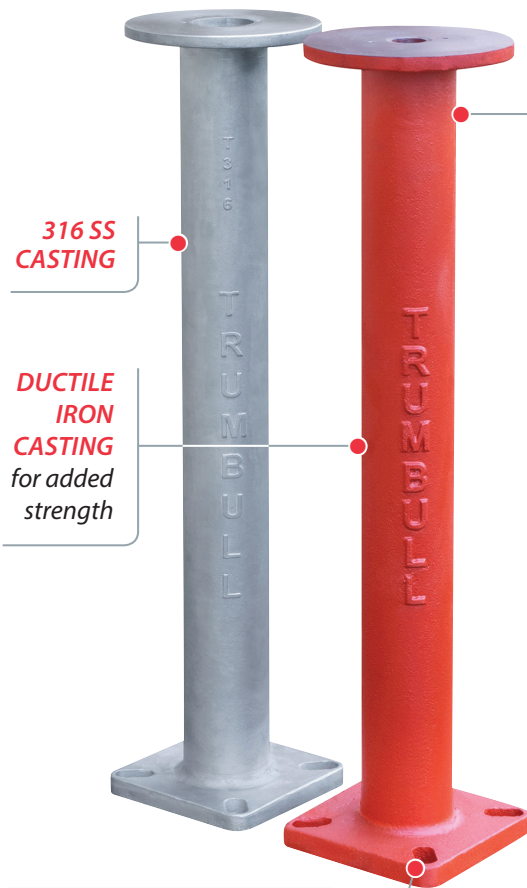
32" Pedestals

Ductile Iron and 316 Stainless Steel

Trumbull 32" Pedestals are designed for installation in treatment plants and pump stations to allow operation of valves at a lower elevation.

Pedestals can be adapted for various custom requirements such as mounting of electric motor operators, manual gear operators, or customer-supplied components. Also available in fabricated stainless steel or carbon steel for various applications.

Multi-Purpose . . .
Many Possibilities!

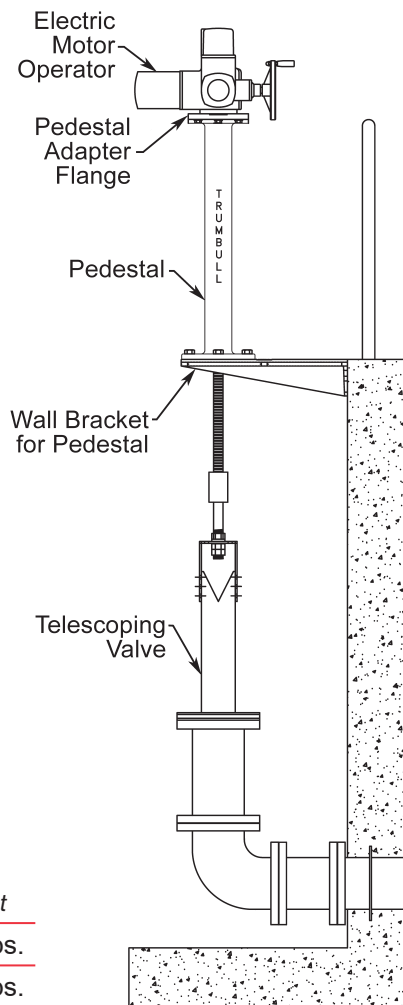


2-PART EPOXY COATING
Tnemec N140-1211

316 SS CASTING

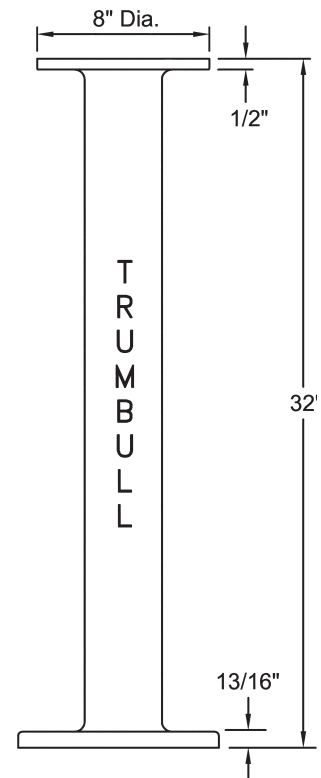
DUCTILE IRON CASTING
for added strength

SLOTTED BOLT HOLES
provide adjustability to avoid interference with rebar

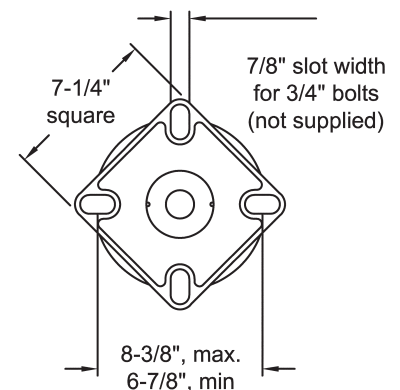


Typical installation

Pedestal Dimensions



Pedestal Base Dimensions



Model	Trumbull Item No.	Weight
Ductile Iron	367-2417	43.45 lbs.
316 Stainless Steel	367-2427	42.10 lbs.