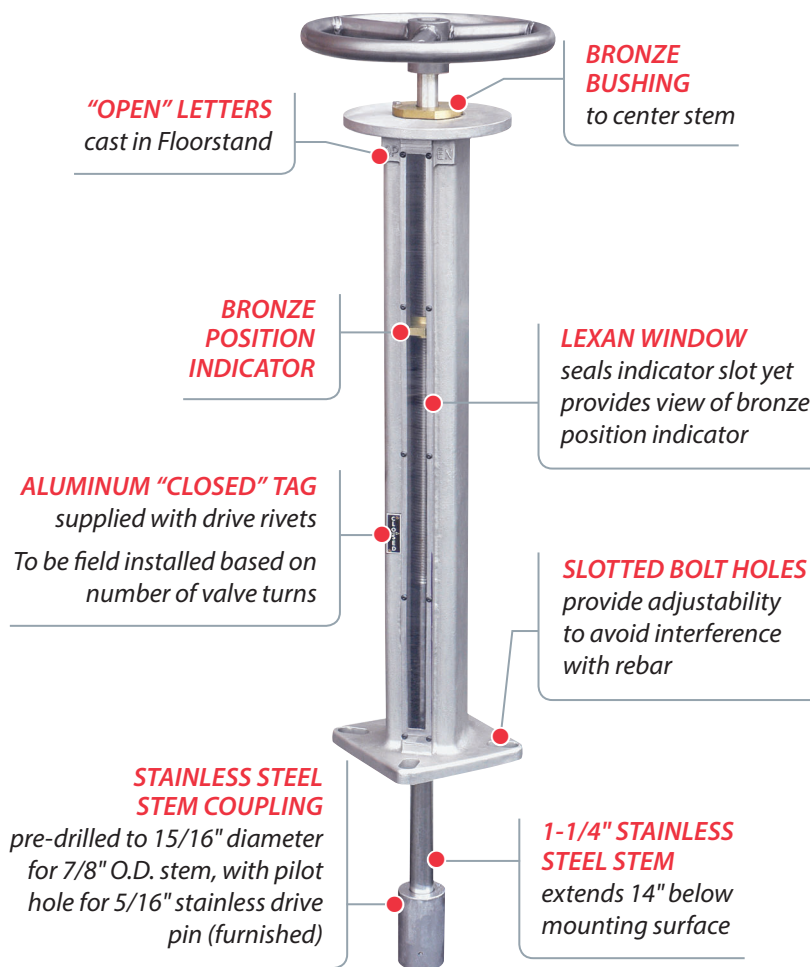


36" Stainless Steel Indicating Floorstand

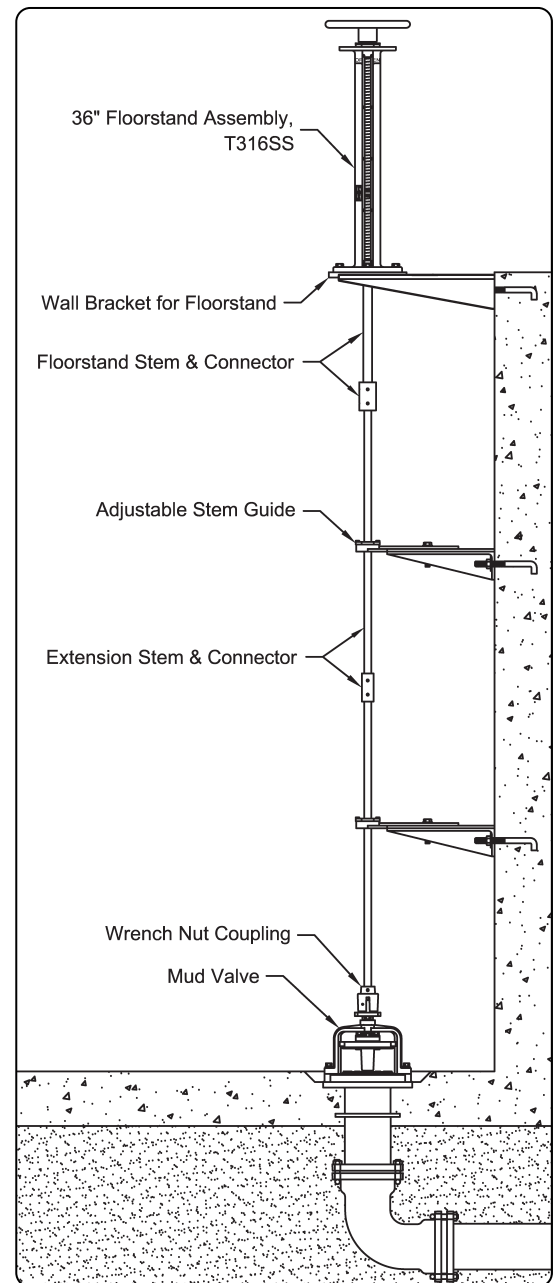
Includes a Sealed Indicator Slot

Trumbull 36" Stainless Steel Indicating Floorstands are designed for installation in treatment plants and pump stations to allow operation of valves at a lower elevation. Stainless steel drive pin secures handwheel to stem. Flange can be machined to facilitate mounting of actuator, if required (also available with gear operators). Stocked for "open left" valves; also available for "open right" valves. Standard stem threading allows up to 196 turns; optional threading allows up to 784 turns. Also available in ductile iron (see page G-47 and G-48). See page G-34 for custom Floorstand options.

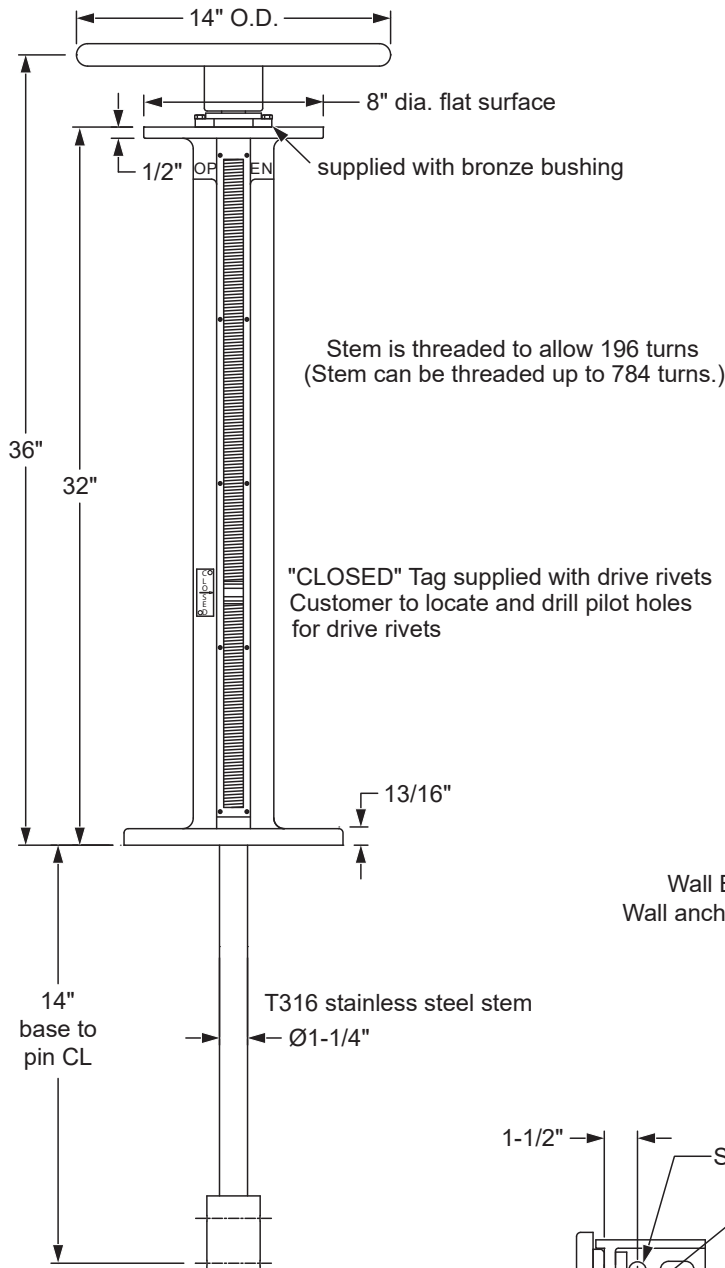


Ordering Instructions

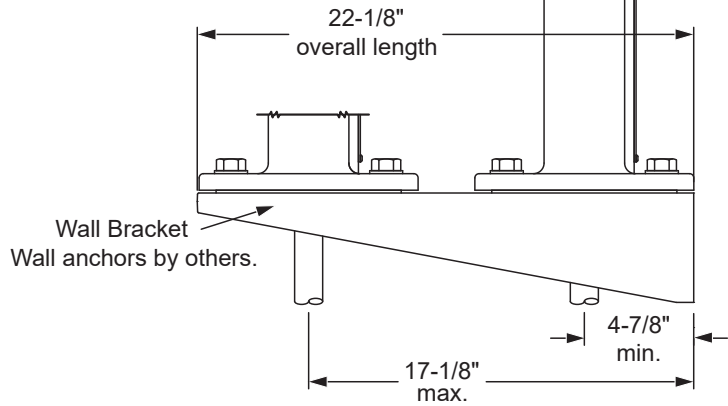
1. Quantity required
2. Floorstand item number: **367-2431**
3. O.D. of extension stem being used, for drilling of connecting couplings
4. Stainless steel Wall Bracket, if required: item number: **367-2461**



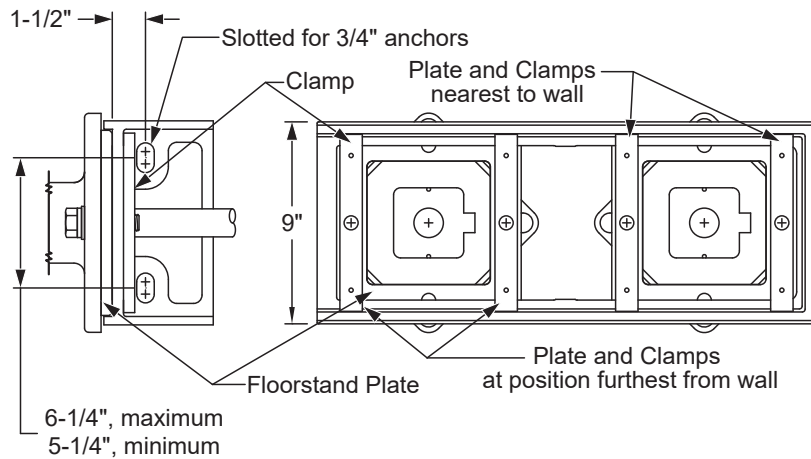
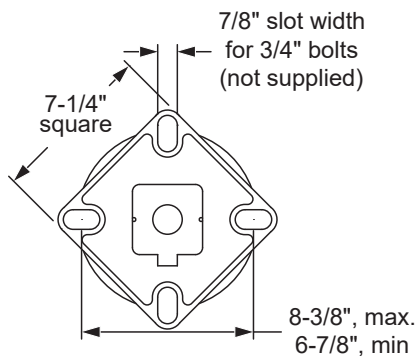
Typical Floorstand installation



Installation of Floorstand on Wall Bracket



Coupling, T316 stainless steel, supplied with stainless steel spring pins



The Floorstand, Handwheel and Wall Bracket are T316 Stainless Steel castings.

**Indicating Floorstand
36" Stainless Steel**
Drawn to Scale

Drawn:
FCN
05/20/08

Revision:
FCN
G 11/11/12

Trumbull Manufacturing, Inc.
Youngstown, Ohio
www.trumbull-mfg.com