

Item	Part	Material
1	Base	Ductile Iron or Stainless Steel
2	Arm	Ductile Iron (carbon steel for 36" to 48" version) or Stainless Steel
3	Clamp	Ductile Iron or Stainless Steel
4	Bushing	Low-Lead Brass
5	Bolt	5/8" x 4", Hex Head, Stainless Steel
6	Washer	1-1/2" O.D., Stainless Steel
7	Nut	5/8", Hex, Stainless Steel
8	Screw	1/4"-20 UNC, Stainless Steel

Item No.	Size	Weight
----------	------	--------

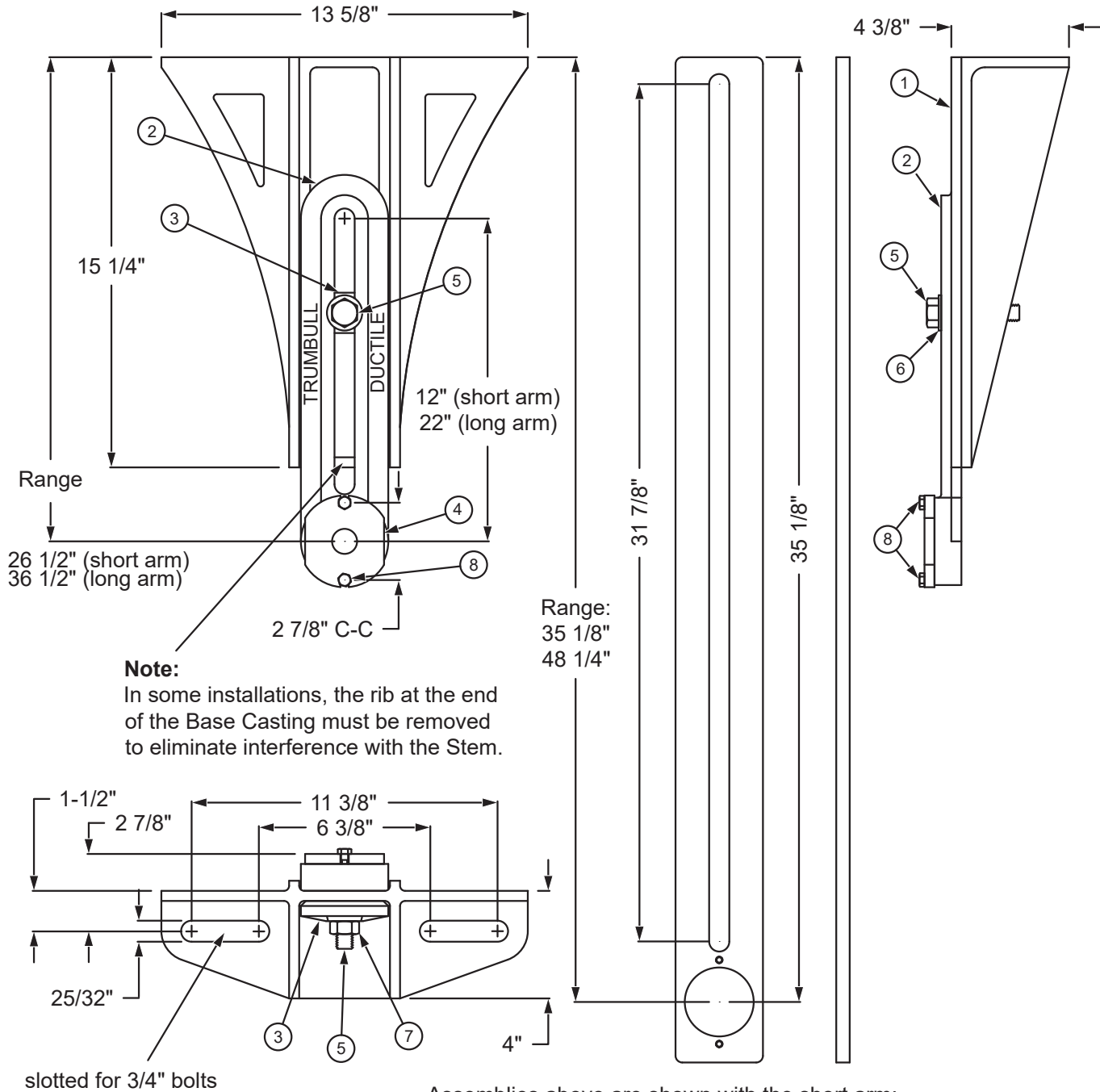
**Ductile Iron Guides (65-45-12)**

367-4960	2" - 26"	25#
367-4970	2" - 36"	28#
367-4974	36" - 48"	38#

**Stainless Steel Guides (T316)**

367-5960	2" - 26"	25#
367-5970	2" - 36"	29#
367-5974	36" - 48"	37#

All Ductile Iron and carbon steel components are coated with Tnemec N140-1211, NSF 61 compliant.



**ADJUSTABLE STEM GUIDES**  
Drawn to Scale

Drawn:  
FCN  
04/25/15

Revision:  
FCN  
07/24/19

**Trumbull Manufacturing, Inc.**  
Youngstown, Ohio  
www.trumbull-mfg.com