

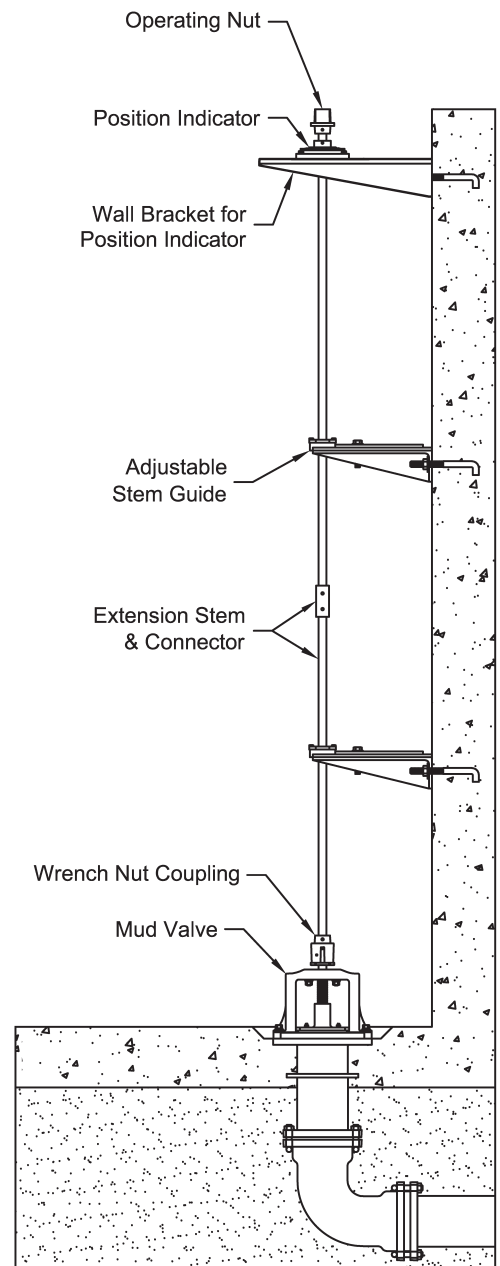
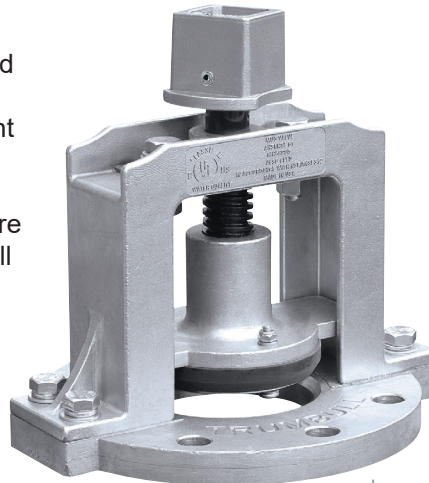
## Cast 316 Stainless Steel Mud Valves

Heavy-Duty Design – Certified to NSF-61 and NSF-372 in USA and Canada

Trumbull Mud Valves are designed primarily for use in settling tanks of water and wastewater treatment plants. Their intended use is to drain tanks for maintenance or cleaning. They are for low pressure applications only; consult Trumbull for special requirements.

For applications requiring more corrosion protection than cast iron, the yoke, flange, guides and gate of these Mud Valves are cast from Type 316 stainless steel. The one-piece, Type 316 stem has a permanently bonded coating to protect against galling for a lifetime of maintenance-free operation. Cast components eliminate corrosion problems frequently caused when stainless steel is welded. Castings are passivated after machining, per ASTM A-967. Heavy-duty design incorporates generous wall thicknesses and stem diameters for maximum strength and corrosion protection. Seat is SBR rubber for positive shutoff. Mechanically retained seat is field-replaceable. Fasteners are Type 316 stainless. See pages G-32 and G-33 for drawings.

Nuts, bolts and gaskets for mounting to floor pipe are NOT furnished but can be ordered separately.



Typical Mud Valve Installation  
See page G-34 for installation options.

Size	Non-Rising Stem		Rising Stem	
	Domestic	Non-Domestic	Domestic	Non-Domestic
3"	1367-1349	367-1453	1367-1369*	367-1469
4"	1367-1350	367-1454	1367-1370*	367-1470
6"	1367-1351	367-1455	1367-1371*	367-1472
8"	1367-1352	367-1456	1367-1372*	367-1474
10"	1367-1353	367-1457	1367-1373*	367-1480
12"	1367-1354	367-1458	1367-1374*	367-1481
14"	1367-1355*	367-1459	* Consult Trumbull for availability.	
16"	1367-1356*	367-1460		
18"	1367-1357*	367-1461		
20"	1367-1358*	367-1462		
22"	1367-1359*	367-1463		
24"	1367-1359*	367-1463		

See pages G-32 and G-33 for weights.

**i** Valve Position Indicators recommended on all Mud Valves (see page F-9).



Valve Size (Bore Dia.)	3	4	6	8	10	12	14	16	18	20	24
A - Overall height	9	8	10-1/2	12-1/2	14-1/2	17	23	21-1/4	23	25-3/4	34-5/8
B - Width at Yoke	8	10-1/4	12-5/8	15-1/8	17-3/8	19	25-3/4	25-3/4	27-3/4	27-1/2	32
C - Valve opening	1-1/2	1-3/4	2-3/4	3-1/2	4-3/4	6	7-3/8	7-1/2	8-1/4	9-1/4	12
D - Flange thickness	3/4	3/4	3/4	3/4	3/4	3/4	3/4	3/4	3/4	3/4	3/4
Flange O.D.	7-1/2	9	11	13-1/2	16	19	21.0	23-1/2	25	27-1/2	32
Bolt Circle Diameter	6.00	7.50	9.50	11.75	14.25	17.00	18.75	21.25	22.75	25.00	29.5
Bolt Hole Dia.	3/4	3/4	7/8	7/8	1	1	1-1/8	1-1/8	1-1/4	1-1/4	1-3/8
Bolt / Stud Size	5/8	5/8	3/4	3/4	7/8	7/8	1	1	1-1/8	1-1/8	1-1/4
Bolts in full Pattern*	4	8	8	8	12	12	12	16	16	20	20
Stem Diameter	1-1/4	1-1/4	1-1/4	1-1/2	1-1/2	1-1/2	1-1/2	1-1/2	1-3/4	1-3/4	1-3/4
Turns to Open	7	9	15-1/2	20	26	30	37	20-1/2	23	48-1/2	60
Weight, pounds	19-1/2	24-1/2	33-1/2	48	65	88	125	142	186	206	230

\* Standard 125 pound drilling template, with two holes covered by the Yoke (except for 3").

Flange mounting gasket and fasteners are not included, and must be ordered separately.

All items, except for the Seal and the sealing washers are Type 316 Stainless Steel.

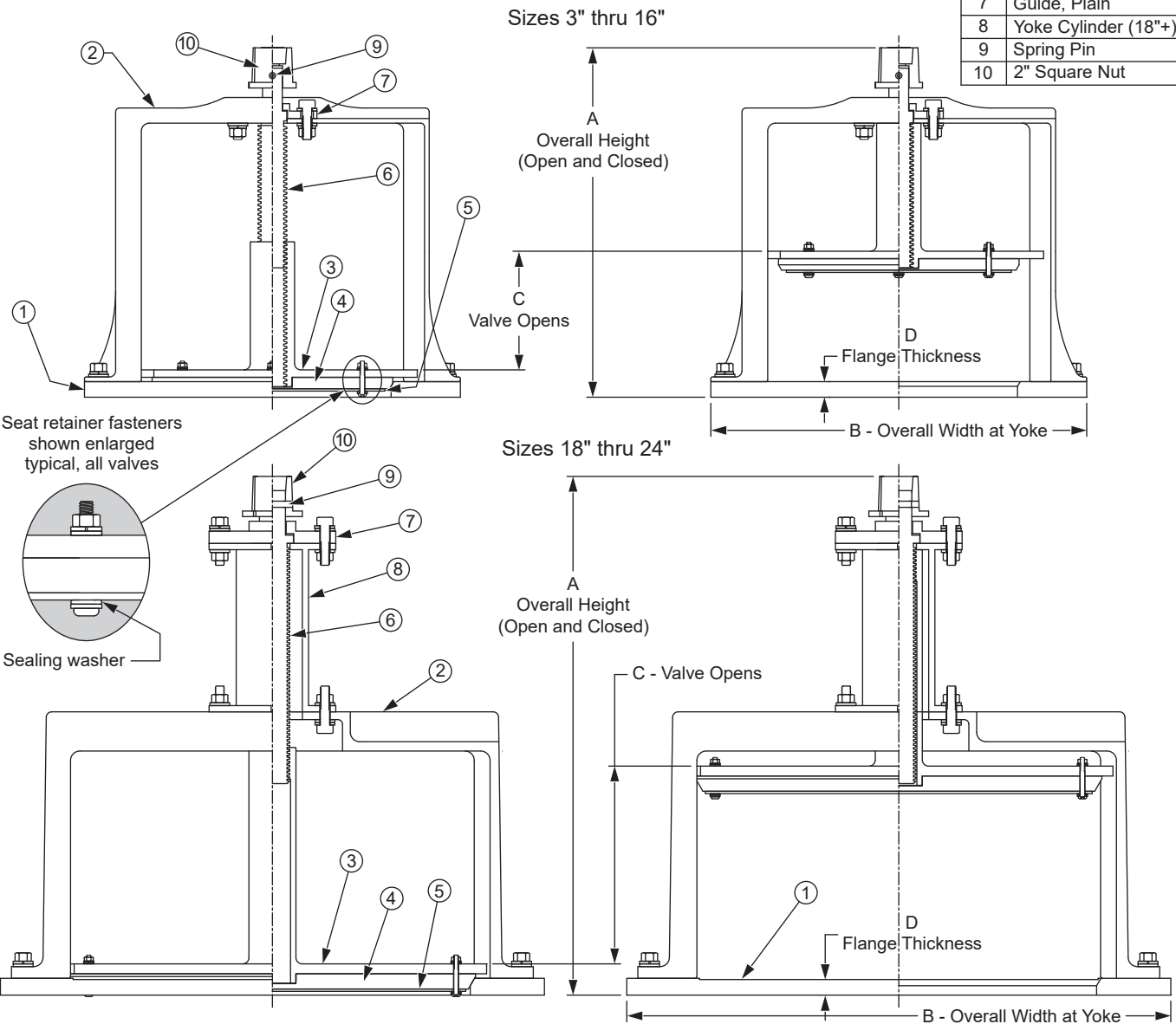
Seal and sealing washers are SBR.

All Fasteners are Stainless Steel, Type 316, ASTM A193, Grade B

Stem is coated and greased to prevent galling.

Basin depth in floor for complete draining, 1" minimum.

Part	Description
1	Base Flange (Body)
2	Yoke
3	Gate
4	Seat
5	Seat Retainer
6	Stem
7	Guide, Plain
8	Yoke Cylinder (18"+)
9	Spring Pin
10	2" Square Nut



**CAST T316 SS MUD VALVES  
NON-RISING STEM TYPE**  
Drawn to Scale

Drawn:  
FCN  
07/24/07

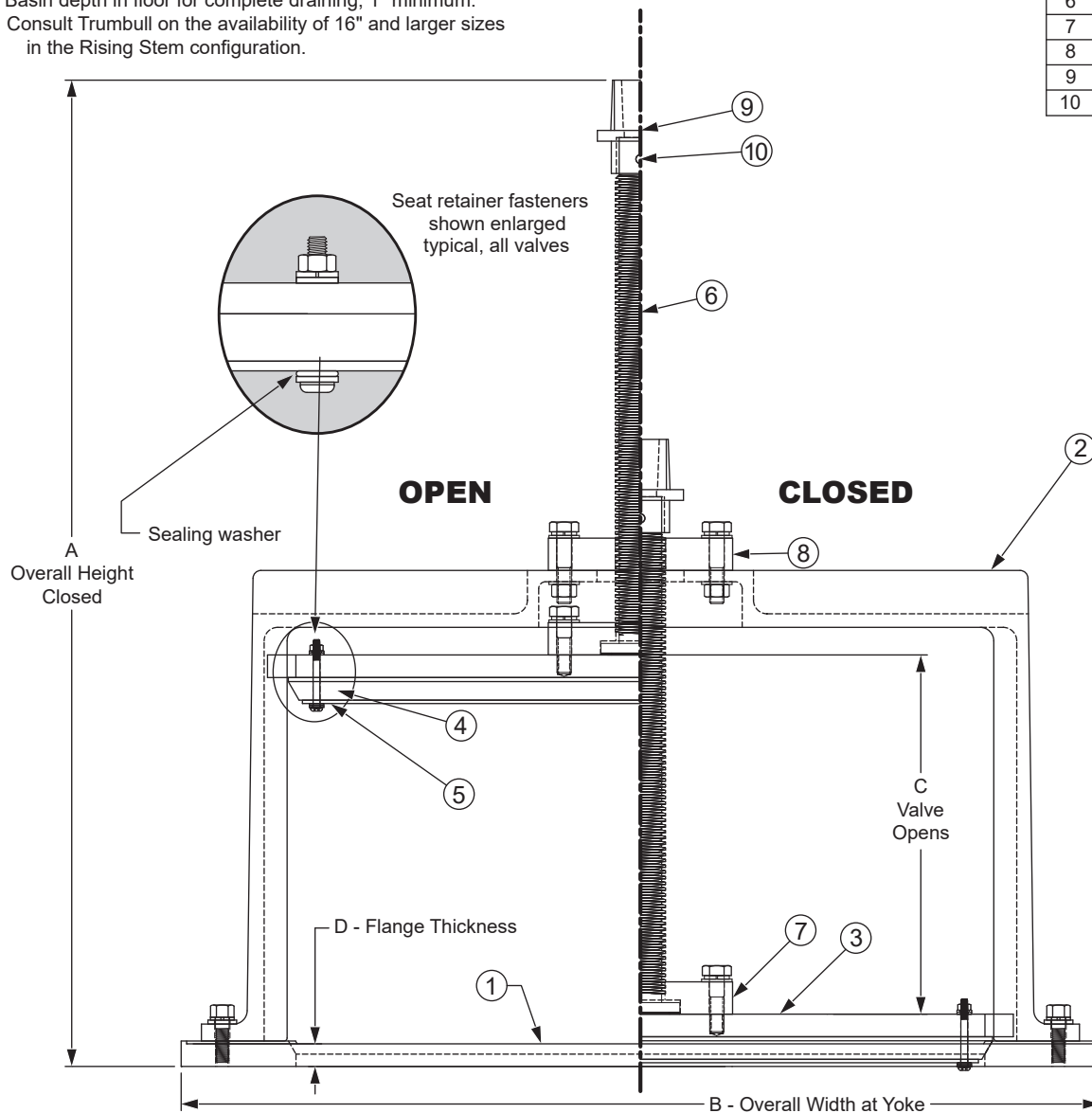
Revision:  
FCN  
F 02/07/20

**Trumbull Manufacturing, Inc.**  
Youngstown, Ohio  
www.trumbull-mfg.com

Valve Size (Bore Dia.)	3	4	6	8	10	12	14	16	18	20	24
A - Overall height, closed	9	8-3/4	10-1/2	12-1/2	14	17	23	23	18	18	23
A - Overall height, open	10-1/2	11-1/2	16	19-1/4	22-3/4	28-1/2	39	39	27	28	35
B - Width at Yoke	8	10-1/4	12-5/8	15-1/8	17-3/8	19	25-3/4	25-3/4	27-3/4	27-1/2	32
C - Valve opening	1-1/2	2-1/4	5	7	8-1/4	11-1/2	16	16	9	10	12
D - Flange thickness	3/4	3/4	3/4	3/4	3/4	3/4	3/4	3/4	3/4	3/4	3/4
Flange O.D.	7-1/2	9	11	13-1/2	16	19	21.0	23-1/2	25	27-1/2	32
Bolt Circle Diameter	6.00	7.50	9.50	11.75	14.25	17.00	18.75	21.25	22.75	25.00	29.5
Bolt Hole Dia.	3/4	3/4	7/8	7/8	1	1	1-1/8	1-1/8	1-1/4	1-1/4	1-3/8
Bolt / Stud Size	5/8	5/8	3/4	3/4	7/8	7/8	1	1	1-1/8	1-1/8	1-1/4
Bolts in full Pattern*	4	8	8	8	12	12	12	16	16	20	20
Stem Diameter	1-1/4	1-1/4	1-1/4	1-1/2	1-1/2	1-1/2	1-1/2	1-1/2	1-3/4	1-3/4	1-3/4
Turns to Open	7	13-1/2	26-1/2	30-1/2	36-1/2	50-1/2	80	80	45	50	60
Weight, pounds	19-1/2	25	34	48	59	78	142	142	155	164	218

Standard 125 pound drilling template, with two holes covered by the Yoke.  
 Flange mounting gasket and fasteners are not included, and must be ordered separately.  
 All items, except for the Seal and the sealing washers are Type 316 Stainless Steel.  
 Seal and sealing washers are SBR.  
 All Fasteners are Stainless Steel, Type 316, ASTM A193, Grade B  
 Stem is coated and greased to prevent galling.  
 Basin depth in floor for complete draining, 1" minimum.  
 Consult Trumbull on the availability of 16" and larger sizes  
 in the Rising Stem configuration.

Part	Description
1	Base Flange (Body)
2	Yoke
3	Gate
4	Seat
5	Seat Retainer
6	Stem
7	Guide, Unthreaded
8	Guide, Threaded
9	2" Square Nut
10	Coil Type Spring Pin



**CAST T316SS MUD VALVES**  
**RISING STEM TYPE**  
 Drawn to Scale

Drawn:  
 FCN  
 10/16/17

Revision:  
 NJC  
 © 03/19/20

**Trumbull Manufacturing, Inc.**  
 Youngstown, Ohio  
 www.trumbull-mfg.com