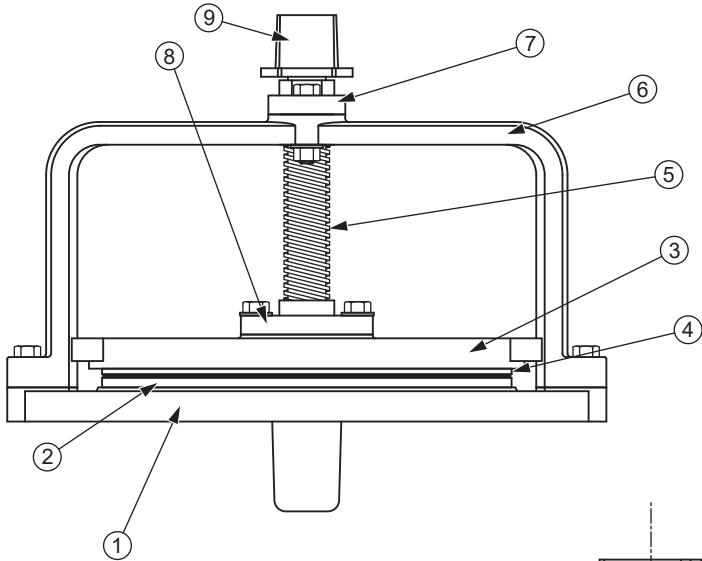


Valve Size (Bore Dia.)	3	4	6	8	10	12	14	16	18	20	24
A - Overall height	9-7/8	9-1/2	11-1/4	11-3/4	12-13/16	13	15	16-3/4	18-3/4	19-3/4	23-1/2
B - Width at Yoke	10	10	12-3/8	14-1/2	17	19-3/4	22-3/4	24-5/8	28-1/2	30-5/8	37
C - Valve opening	2-1/4	2	3-1/2	4	4-1/16	5	6-3/4	7-3/4	8-1/2	9-3/4	12-1/4
D - Basin depth in floor, min.	1-3/8	1-3/8	1-5/8	1-5/8	1-5/8	1-3/4	1-3/4	1-7/8	2-1/8	2-1/4	2-5/8
E - Flange Thickness	3/4	13/16	1	7/8	7/8	1	1-1/8	1-1/4	1-3/8	1-9/16	1-7/8
Flange O.D.	7-1/2	9	11	13-1/2	16	19	21	23-1/2	25	27-1/2	32
Bolt Circle	6.0	7.5	9.5	11.75	14.25	17.0	18.75	21.25	22.75	25.0	29.5
Bolt Hole Dia.	3/4	3/4	7/8	7/8	1	1	1-1/8	1-1/8	1-1/4	1-1/4	1-3/8
Bolt Dia.	5/8	5/8	3/4	3/4	7/8	7/8	1	1	1-1/8	1-1/8	1-1/4
Bolts in full Pattern* (except 3")	4	8*	8*	8*	12*	12*	12*	16*	16*	20*	20*
Stem Diameter	1	1	1-1/8	1-1/4	1-3/8	1-1/2	1-1/2	1-1/2	1-3/4	1-3/4	1-3/4
Turns to Open	10-1/2	11	17	20	21	25-1/2	34	40	43	49	63
Weight, pounds	26.3	27	47	73	110	130	139	167	243	280	453



Item	Part	Materials
1	Base Flange (Body)	Gray Iron, ASTM A126 (B)
2	Seat, Base Flange	Bronze, ASTM B62; B584
3	Gate	Ductile Iron, ASTM A536 (65-45-12)
4	Seat, Gate	Bronze, ASTM B62; B584
5	Stem	Bronze, ASTM B584
6	Yoke	Ductile Iron, ASTM A536 (65-45-12)
7	Guide, unthreaded	Ductile Iron, ASTM A536 (65-45-12)
8	Guide, threaded	Bronze, ASTM B584
9	Operating Nut, 2" sq.	Gray Iron, ASTM A126 (B)

All Fasteners are Stainless Steel

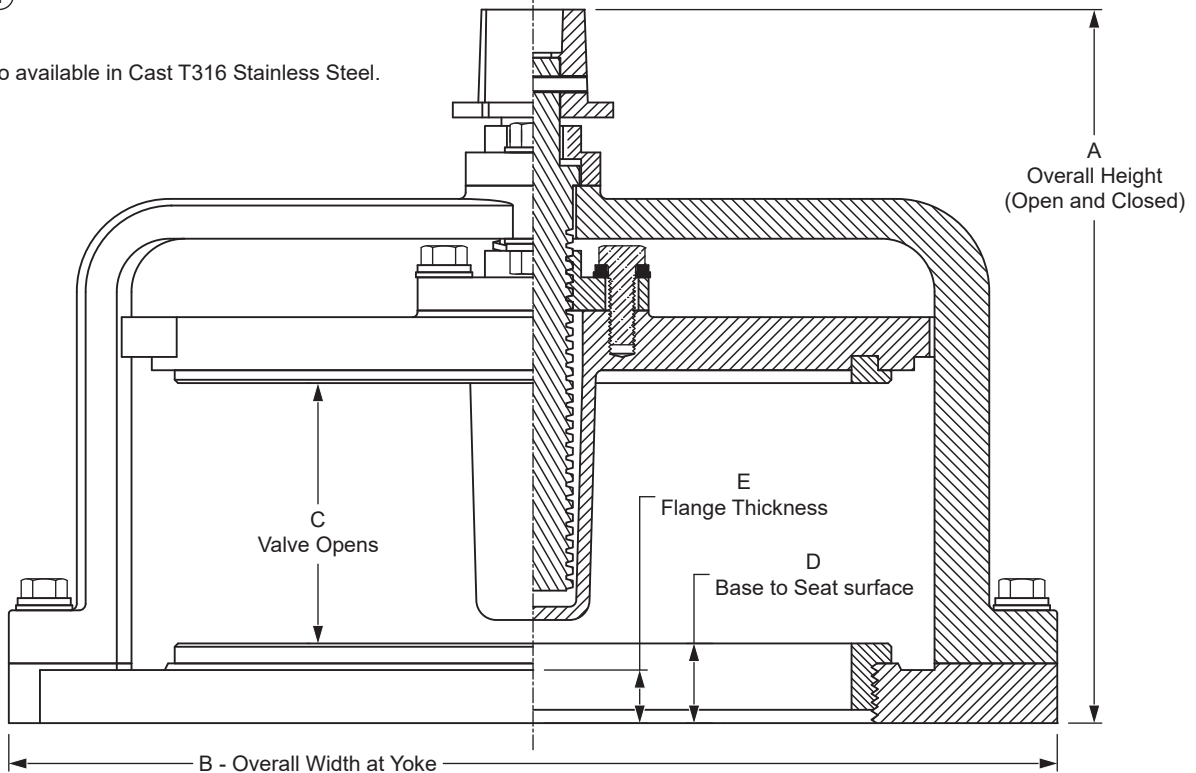
Standard 125 pound drilling template.

* Two of the bolts in the bolt pattern are under the yoke feet and not used (except for 3").

All cast iron surfaces, except machined surfaces, to be finished with NSF61 (TNEMEC 140-1211) coating.

Flange mounting gasket and fasteners are not included, and must be ordered separately.

Also available in Cast T316 Stainless Steel.



CAST IRON MUD VALVES NON-RISING STEM TYPE

Drawn to Scale

Drawn:
FCN
10/16/17

Revision:
FCN
B 02/13/20

Trumbull Manufacturing, Inc.
Youngstown, Ohio
www.trumbull-mfg.com