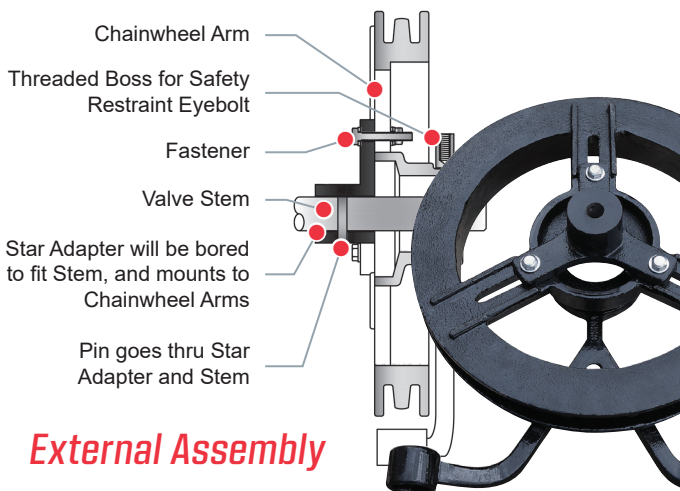


"STAR ADAPTERS"

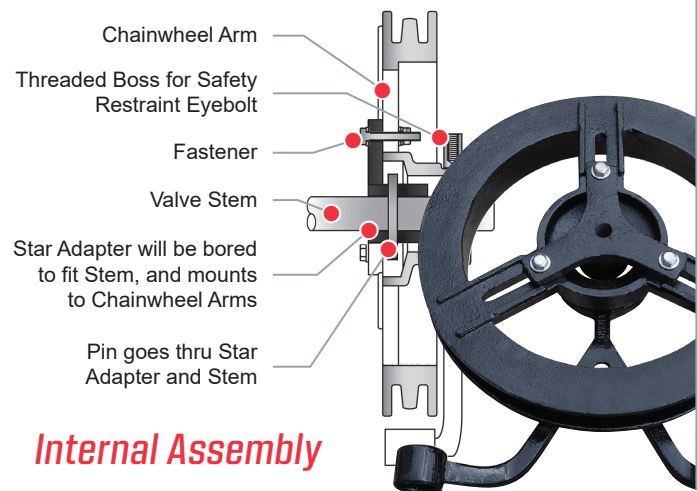
Star Adapters are available for direct mounting of Chainwheels to valve, gear box, or actuator stem.

These adapters require pinning to the stem. Pilot holes are pre-drilled in the adapter for ease of installation on-site; the drilling of the stem is by customer. Star Adapters will be furnished with fasteners necessary to attach to Chainwheel, in lieu of clamping hardware normally furnished with Chainwheel.

Direct Mounting of Chainwheels for both Sprocket-Type and Pocket-Type Chainwheels



External Assembly



Internal Assembly

Ductile Iron "Star Adapters" – for Sprocket-Type Chainwheels

	Size 0.0	Size 1.0	Size 1.5	Size 2.0	Size 2.5	Size 3.0	Size 3.5	Size 4.0	Size 4.5	Size 5.0
DI Star Adapter	S	S	M	M	M	L & XL	L & XL	L & XL	L & XL	L & XL
Trumbull Item No.	167-3070		167-3072			167-3074 (L) & 167-3076 (XL)				
Bore Size, standard	3/8"		1/2"			1/2"				
Hub O.D.	1-1/8"		1-5/8"			L 1-5/8" / XL 2-3/8"				
Optional Bore, max.	7/8"		1-3/8"			L 1-3/8" / XL 2-1/8"				
Hub Height	3/4"		1-3/16"			1-1/2"				

Stainless Steel "Star Adapters" for Pocket-Type Chainwheels

	Size 4	Size 6	Size 8	Size 12	Size 15	Size 22	Size 29
SS Star Adapter	S	S	L	L	L	L	L
Trumbull Item No.	167-3060			167-3062			
Bore Size, standard	3/8"			3/4"			
Hub O.D.	1-1/16"			1-9/16"			
Optional Bore, max.	7/8"			1-3/8"			
Hub Height	1/2"			1-1/2"			