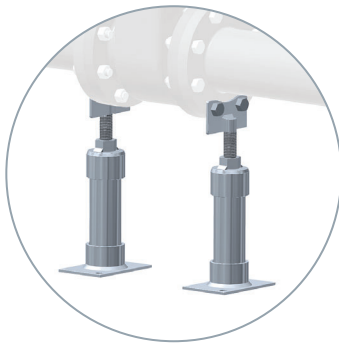


Adjustable Pipe Supports – Flange Style

Available in Galvanized Carbon Steel and ASTM 304 Stainless Steel



All Trumbull Pipe Support models have been tested to a 10,000 lb load, under typical installation conditions. We recommend Project Engineers consider a safety factor when determining the number of supports in their design.



Assembly Includes:

- A** Large base; 4" x 6" or 8" x 8"
- B** Saddle Assembly & Height-Adjustment Cap, which allows for up to 3" of final height adjustment

Customer Supplied:

- C** Extension Pipe, at the length required*



	Carbon Steel	304 Stainless Steel
Base Plate:	ASTM A36 sheet steel	ASTM 304 sheet steel
Threaded Rod:	ASTM A307 rolled threads	ASTM 304 rolled threads
Base Cup:	ASTM A53 tubing	ASTM 304 tubing
Adjustment Cap:	ASTM A53 tubing	ASTM 304 tubing
Flange Plate:	ASTM A36 sheet steel	ASTM 304 sheet steel

Standard stock flange supports are fabricated to fit ANSI Class 125 bolt pattern flanges, other flange bolt patterns classes available upon request;

- Optional 316 stainless steel supports available.
- Other coatings such as epoxy paint may be available, please inquire as to availability.

* Extension Pipe is furnished separately. If required, Trumbull can supply pipe that is cut-to-length.

Class 125

Flange Size	CS Item No.	304 SS Item No.	Flange Plate Dimensions	Threaded Rod	Base Plate	Extension Pipe Size*	Min. Height from Floor
3"	364-5870	364-5890	6" x 3-1/4" x 1/4"	1"-8 NC x 6"	1/4" x 4" x 6"	2" Sch 40	7"
4"	364-5871	364-5891	4-1/2" x 2-1/2" x 1/4"				
6"	364-5872	364-5892	5-1/4" x 2-1/2" x 1/4"				
8"	364-5873	364-5893	6-1/2" x 2-1/2" x 1/4"				
10"	364-5874	364-5894	6" x 2-1/2" x 1/4"				
12"	364-5875	364-5895	6-1/2" x 2-1/2" x 1/4"				
14"	364-5876	364-5896	7-1/2" x 3-1/2" x 3/8"	1-1/2"-6 NC x 6"	1/2" x 8" x 8"	3" Sch 40	10"
16"	364-5877	364-5897					
18"	364-5878	364-5898		2"-4 NC x 6"	4" Sch 40		
20"	364-5879	364-5899					
24"	364-5880	364-5900					