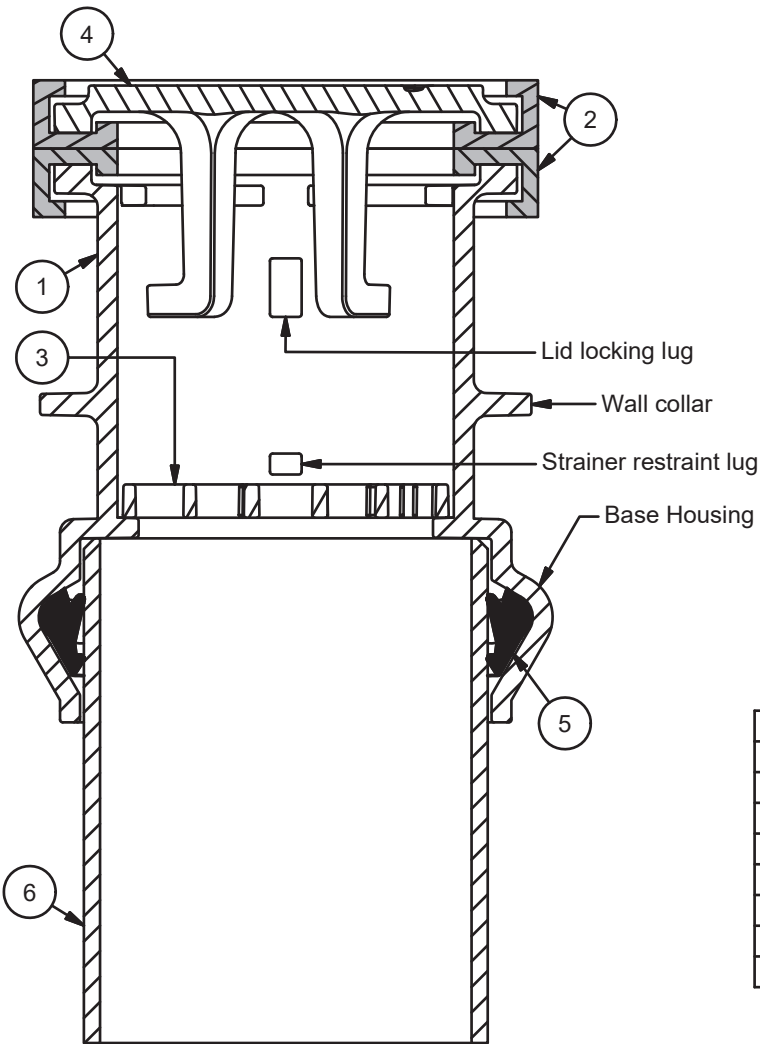
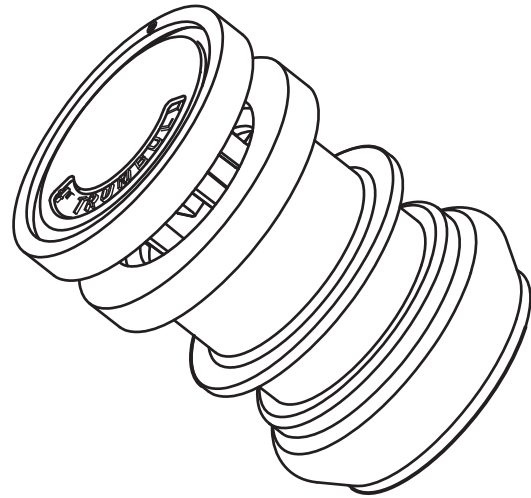


ITEM	DESCRIPTION	MATERIAL
1	Valve Body	Stainless Steel (T316) or Ductile Iron (65-45-12)
2	QuadroSeal Seat	Neoprene (40 durometer)
3	Strainer	Stainless Steel (T316) or Ductile Iron (65-45-12)
4	Lid	Stainless Steel (T316) or Ductile Iron (65-45-12)
5	Rieber Gasket	SBR
6	Length Extender	C900 PVC Pipe

Note:

Ductile Iron components are coated with Tnemec N140-1211 epoxy (complies with NSF 61).



Size	Material	Part Number	Weight
4"	DI	367-1556	13.2 lb
4"	SS	367-1540	14.5 lb
6"	DI	367-1578	23.1 lb
6"	SS	367-1544	22.3 lb

Valve size	4	6
Overall height - closed	7-5/8"	7-59/64"
Lid lift distance	1"	1"
Seat O.D.	6"	8"
Base Housing O.D.	6-11/32"	8-5/8"
Fits C900 pipe size	4"	6"
Wall collar O.D.	5-27/32"	8-1/8"
Body seat face to Collar CL	3"	2-7/8"
Strainer flow area	7.3 sq. in	18.9 sq. in

**TANK PRESSURE RELIEF VALVE
FLOOR TYPE**
Drawn to Scale

Drawn:
BJE
01/07/13

Original document

Trumbull Manufacturing, Inc.
Youngstown, Ohio
www.trumbull-mfg.com