

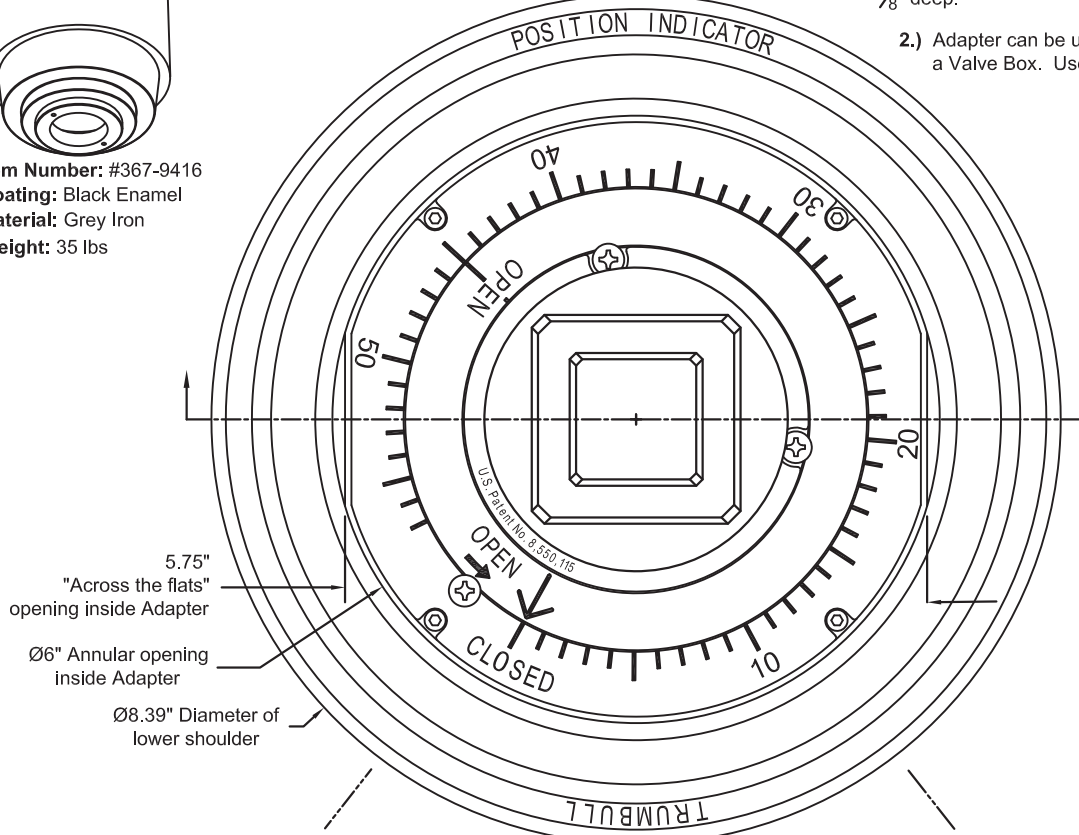
Item Number: #367-9416  
 Coating: Black Enamel  
 Material: Grey Iron  
 Weight: 35 lbs

Typical top view  
**Position Indicator & Adapter**  
 (shown w/out Lid & Debris Shield)

**Notes:**

- 1.) Use Pipe Nipple  $\frac{5}{8}$ " longer than the increase of floor slab required, as the threads on the underside of Adapter are  $\frac{5}{8}$ " deep.
- 2.) Adapter can be used with PVC C900 Pipe to form a Valve Box. Use Pipe sizes 6" or 8" DR 14.

**US Patent No.'s**  
 8,550,115  
 9,347,583  
 10,066,760

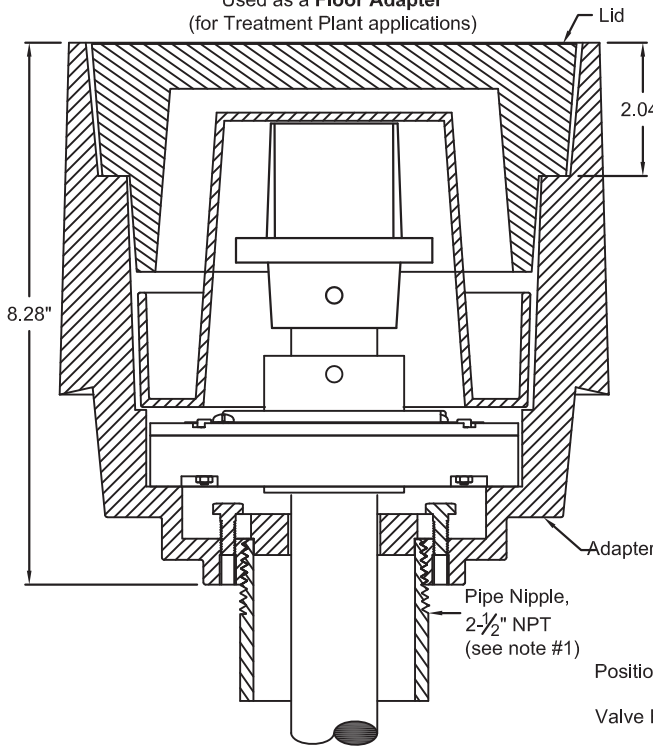


5.75"  
 "Across the flats"  
 opening inside Adapter

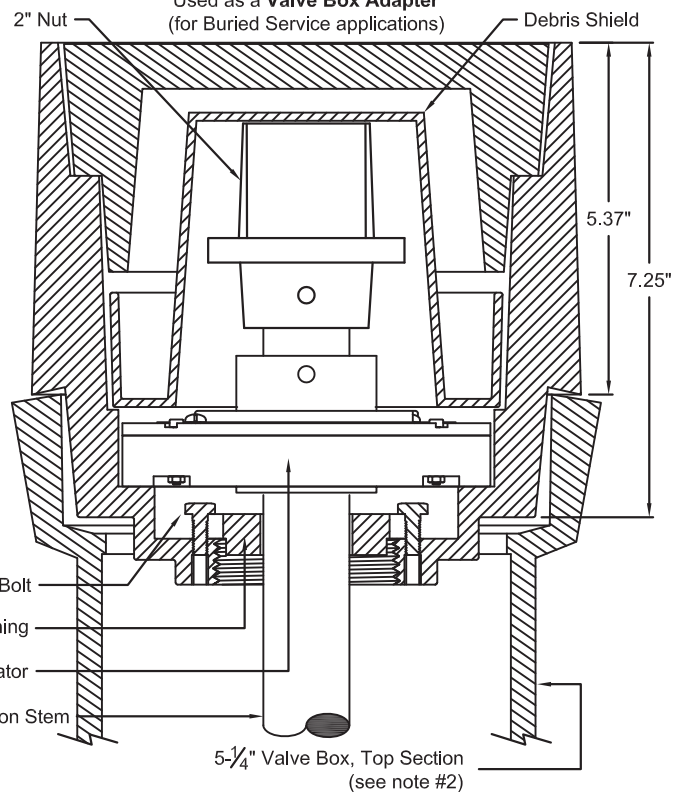
Ø6" Annular opening  
 inside Adapter

Ø8.39" Diameter of  
 lower shoulder

Typical section view  
 Used as a **Floor Adapter**  
 (for Treatment Plant applications)



Typical section view  
 Used as a **Valve Box Adapter**  
 (for Buried Service applications)



**HOUSING ADAPTER FOR  
 POSITION INDICATOR**  
 Drawn to Scale

Drawn:  
 BJE  
 02/08/11

Revision:  
 BJE  
 © 09/10/18

**Trumbull Manufacturing, Inc.**  
 Youngstown, Ohio  
 www.trumbull-mfg.com