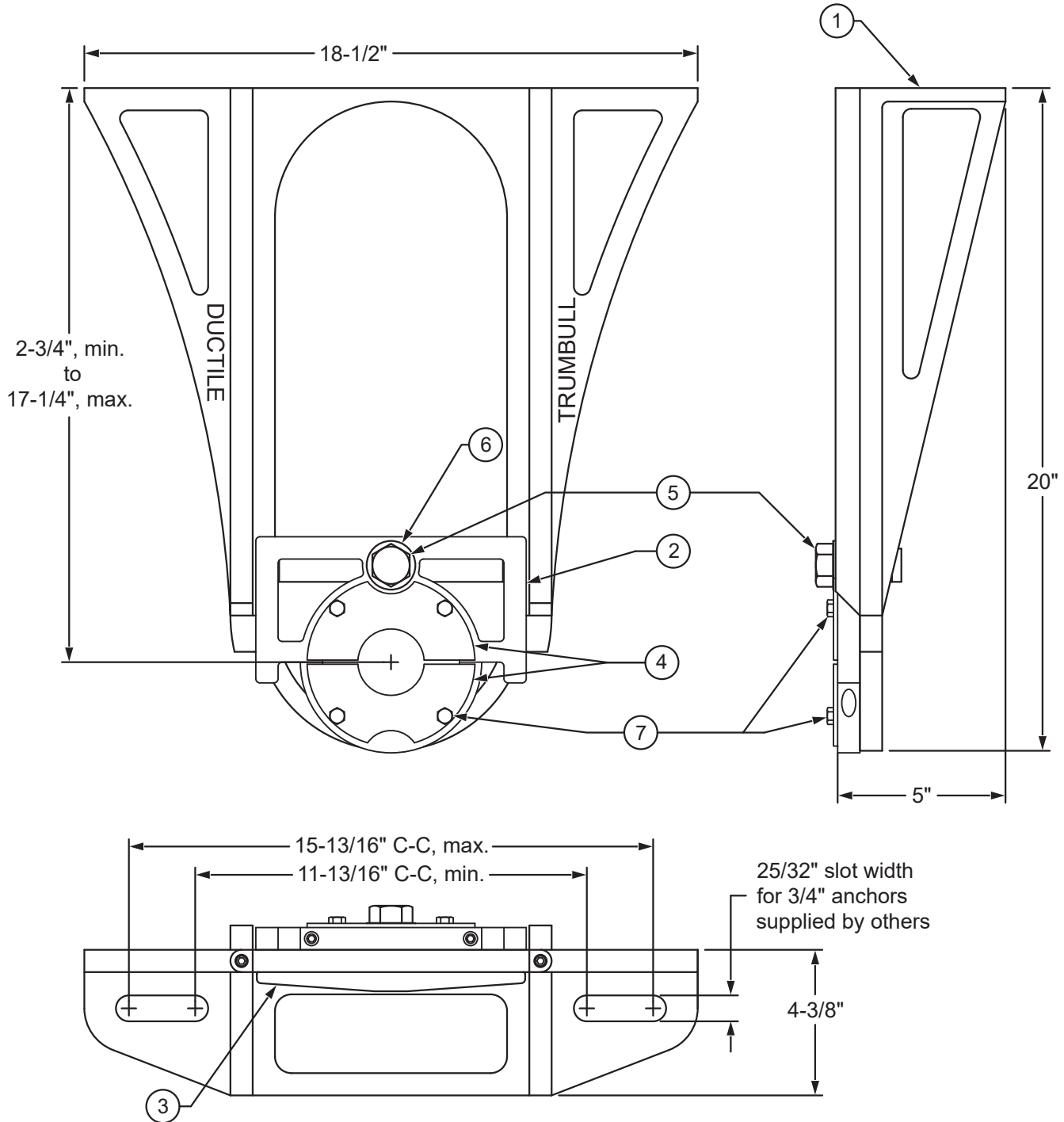


Item	Part	Material
1	Base	Ductile Iron
2	Arm	Ductile Iron
3	Clamp	Ductile Iron
4	Bushing	Bronze
5	Bolt	5/8" x 4", Hex Head, Stainless Steel
6	Washer	1-1/2" O.D., Stainless Steel
7	Screw	1/4"-20 U.N.C., Stainless Steel

All ductile iron components are coated with Tnemec 140-1211, NSF 61 compliant.

Weight of assembly: 43#



LARGE BORE STEM GUIDE

Drawn to Scale

Drawn:
FCN
08/23/99

Revision:
FCN
04/07/15

Trumbull Manufacturing, Inc.
Youngstown, Ohio
www.trumbull-mfg.com