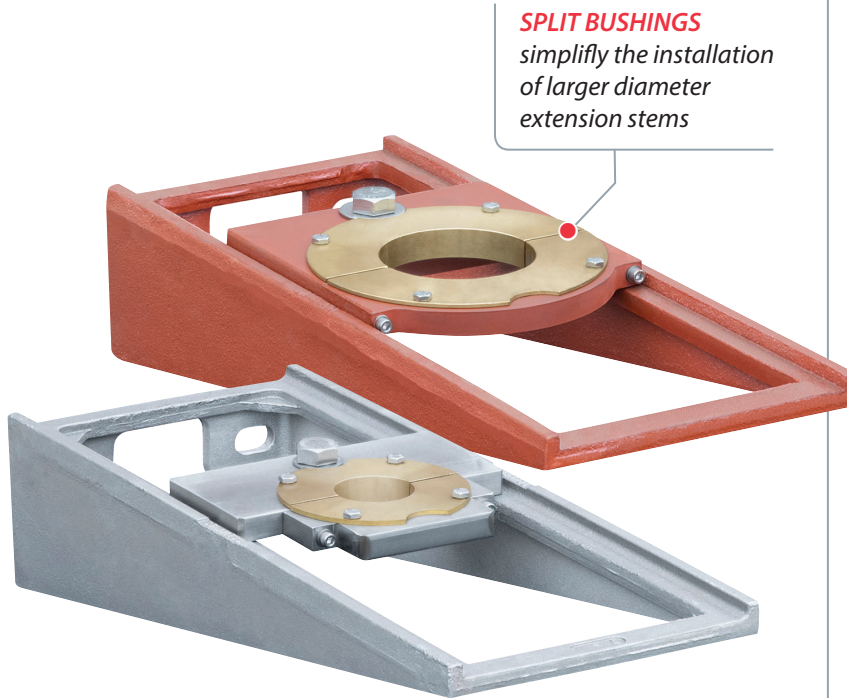


Larger Diameter Adjustable Stem Guides

Wall Bracket Design

Trumbull Larger Diameter Stem Guides are designed for installation in treatment plants and pump stations to provide support for valve extension stems. They accommodate larger stem diameters, expanding the bore capacity up to 6-1/2". All ductile iron castings coated with Tnemec N140-1211 epoxy (complies with NSF 61). See reverse side for drawing. Stem Guides are generally recommended at 6' to 8' intervals.



SPLIT BUSHINGS
simplify the installation
of larger diameter
extension stems

Ductile Iron

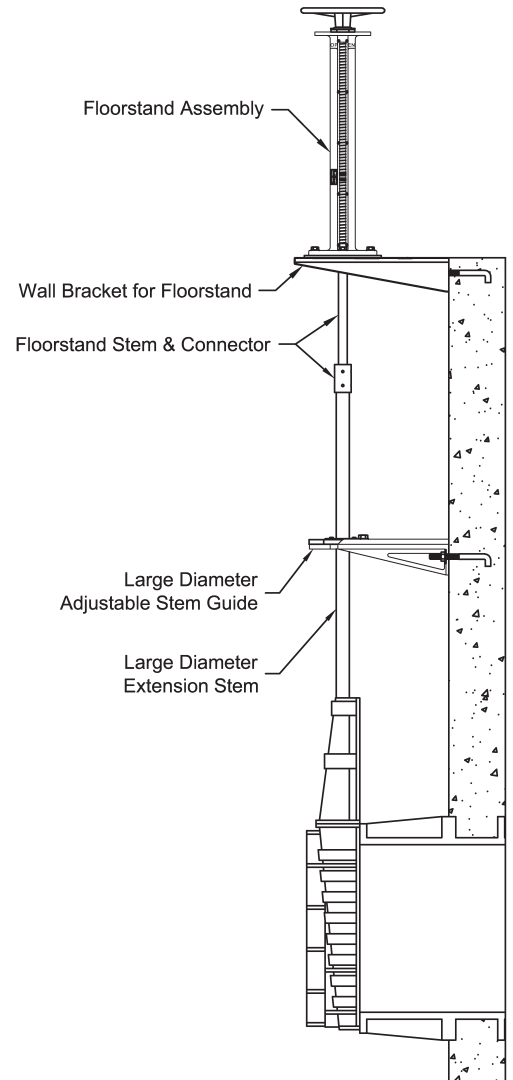
Trumbull Item No.	Adjustment Range	For Stem Diameters	Weight
367-2454	4" to 18" *	4" to 6-1/2"	38.65 lbs.

316 Stainless Steel

Trumbull Item No.	Adjustment Range	For Stem Diameters	Weight
367-2463	4" to 18" *	2" to 4"	38.50 lbs.
367-2464	4" to 18" *	4" to 6-1/2"	41.50 lbs.

* Adjustment range dependent on stem diameter

Stem Guides with 2-3/4" to 17-1/4" adjustment range and removable end cap design are shown on pages G-21 and G-22.



Typical installation

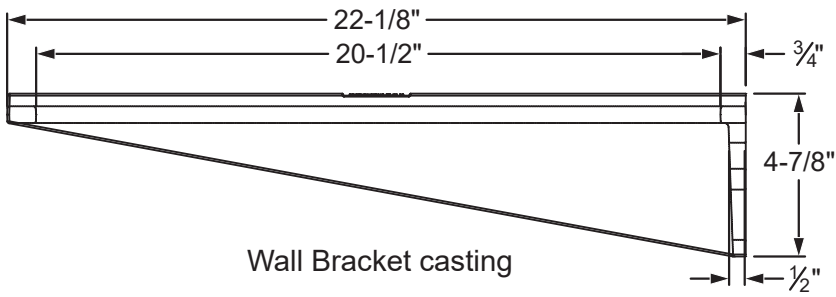
Ordering Instructions

1. Quantity required
2. Trumbull item number
3. O.D. of stem being used, or desired bushing material & hole size

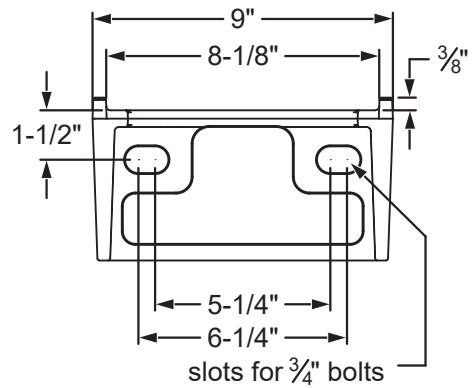
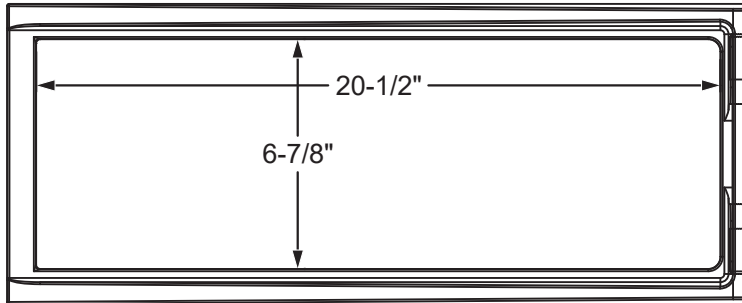
If size is not specified, the following bore diameter bushings are supplied:

2-1/8" for item 367-2463

4-1/8" for items 367-2454 and 367-2464



Wall Bracket casting



**Wall Bracket with
Large Bore Stem Guide Kit**

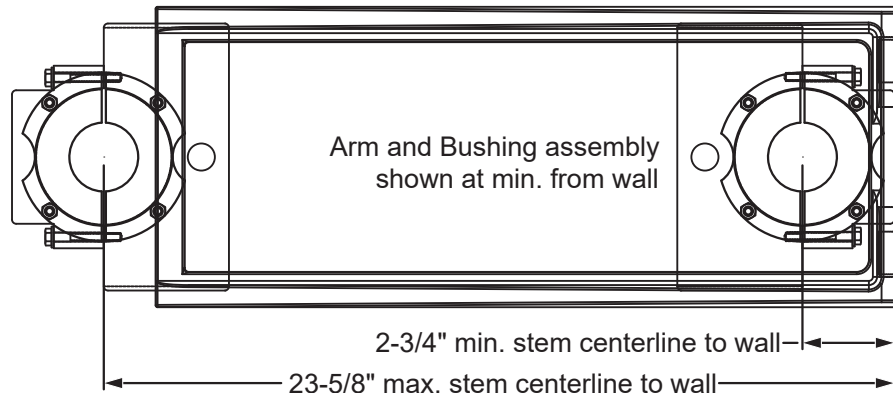
Wall Bracket SS, Stems 2" to 4" #367-2463

Wall Bracket SS, Stems 4" to 6-1/2" #367-2464

Mounting kit includes clamps and fasteners

Arm and Bushing assembly
shown at max. from wall

Arm and Bushing assembly
shown at min. from wall



Typical Arm and Bushing
Assembly

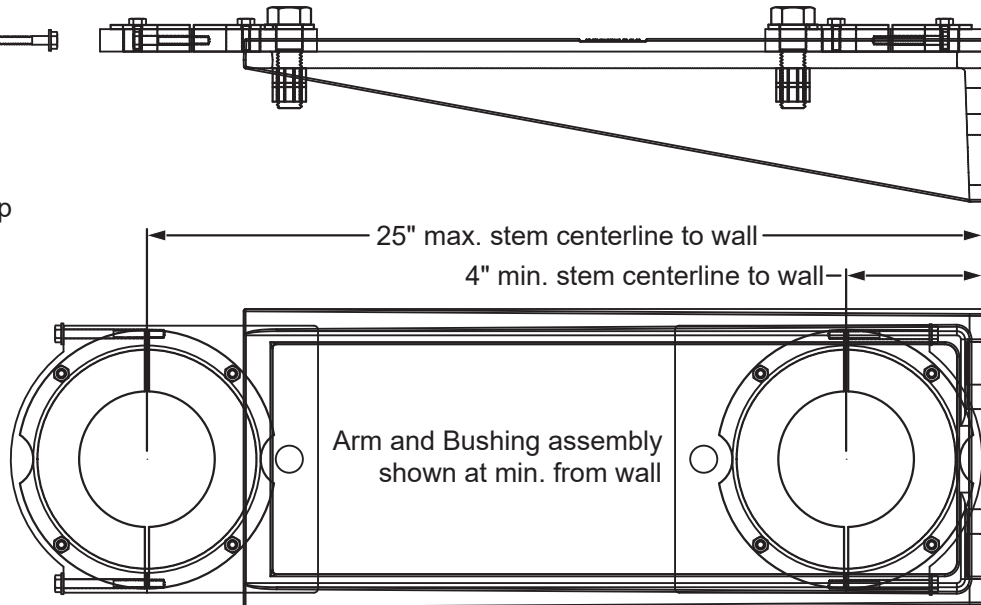


Typical
Arm Clamp
and Bolt



Arm and Bushing assembly
shown at max. from wall

Arm and Bushing assembly
shown at min. from wall



**LARGE BORE STEM GUIDE
WALL BRACKET STYLE**
Drawn to Scale

Drawn:
FCN
07/26/19

Revision:
FCN
A 07/26/19

Trumbull Manufacturing, Inc.
Youngstown, Ohio
www.trumbull-mfg.com