

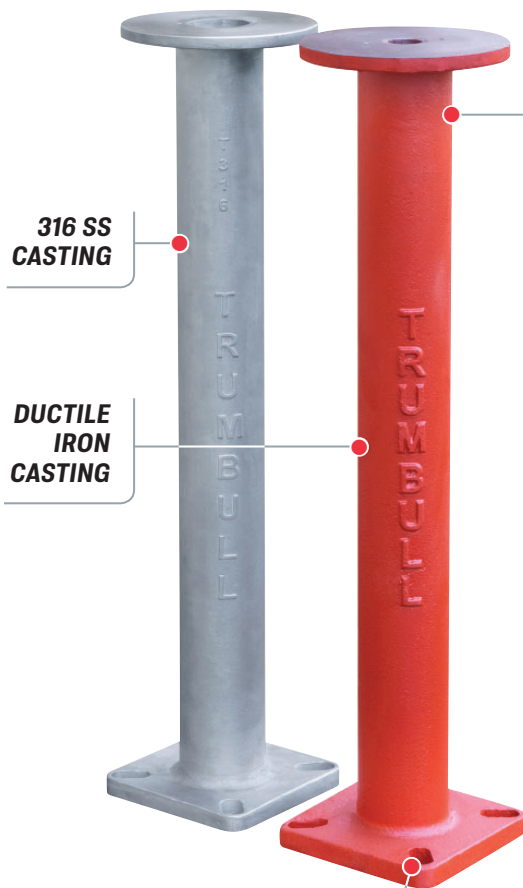
## 32" Pedestals

Ductile Iron and 316 Stainless Steel

Trumbull 32" Pedestals are designed for installation in treatment plants and pump stations to allow operation of valves at a lower elevation.

Pedestals can be adapted for various custom requirements such as mounting of electric motor operators, manual gear operators, or customer-supplied components. Also available in fabricated stainless steel or carbon steel for various applications.

MULTI-PURPOSE...  
Many  
Possibilities!

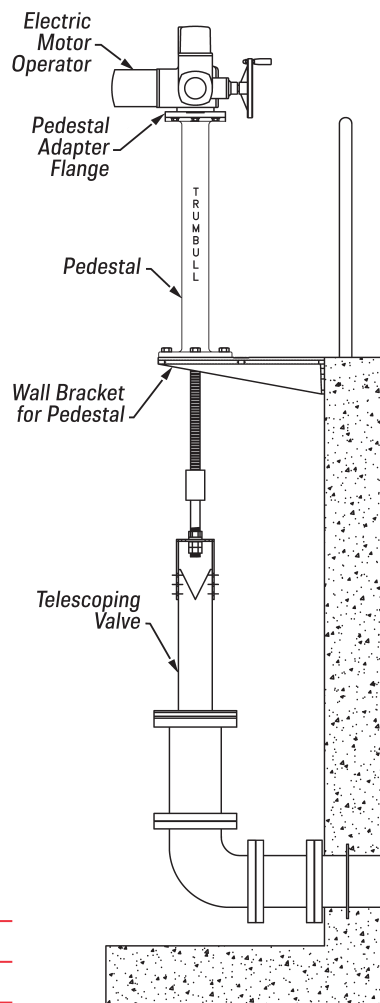


**2-PART EPOXY COATING**  
Tnemec N140-1211

316 SS  
CASTING

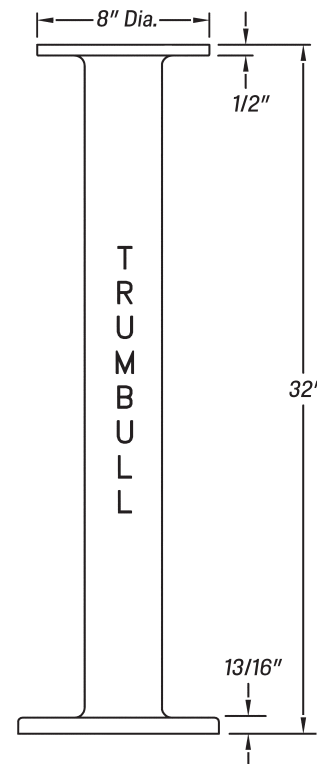
DUCTILE  
IRON  
CASTING

**SLOTTED BOLT HOLES**  
provide adjustability to avoid  
interference with rebar

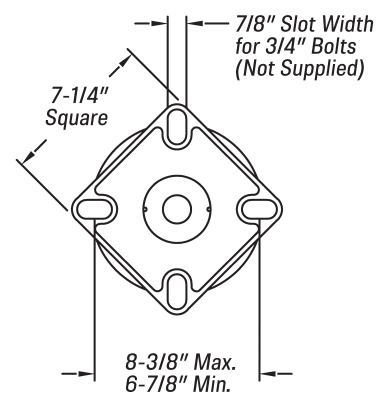


Typical installation

### PEDESTAL DIMENSIONS



### PEDESTAL BASE DIMENSIONS



### 32" Pedestals

Model	Item No	Weight
Ductile Iron	367-2417	43.45 lbs.
316 Stainless Steel	367-2427	42.10 lbs.