

7-11/16", Lid diameter

Flat surface for custom nameplate or valve tag; consult Trumbull.

4"
+
1-3/4"

Lid, Lid Fasteners, and O-Ring Lid Seal are included.

Lid Fasteners

Lid

O-Ring Lid Seal

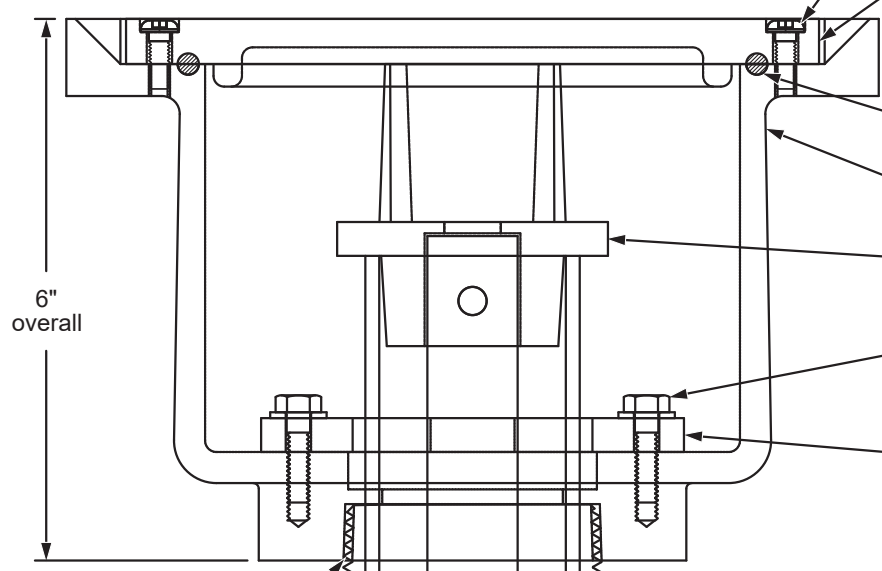
Floor Box Canister

2" Operating Nut, Optional

Fasteners, optional

Bushing, optional

Packing Glands are also available.



6"
overall

Casting tapped for 2-1/2" NPT nipple. (not included)

2" Sch40 Pipe stem (Stems are optional.)

1" Solid Rod stem (Stems are optional.)

Notes:
Available in cast stainless or cast carbon steel. Stainless steel components are Type 316. Carbon steel components are EDP coated. For Bushing, specify bore dia. desired. For Packing Gland, specify stem dia. and type of packing material required.

SEALED FLOOR BOX
CAST T316SS or CS - 6" OAH
Drawn to Scale

Drawn:
FCN
02/19/18

Revision:
FCN
A 02/19/18

Trumbull Manufacturing
Youngstown, Ohio
www.trumbull-mfg.com