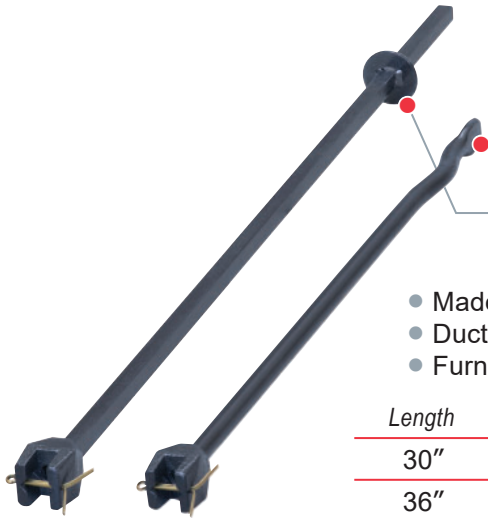


Curb Box Rods



Buffalo Erie/Minneapolis

Buffalo Type Curb Box Rods

- Made of 1/2" square carbon steel
- Ductile iron end casting
- Furnished with brass cotter pin

Length	Item No	Weight
30"	367-4230	3.00 lbs.
36"	367-4232	3.50 lbs.

Erie/Minneapolis Type Curb Box Rods

Furnished with brass cotter pin

Length	Item No	Weight
24"	367-4084	3.10 lbs.
30"	367-4085	3.20 lbs.
36"	367-4087	3.70 lbs.
42"	367-4090	4.20 lbs.
48"	367-4092	4.70 lbs.

Curb Wrenches and Keys



LIGHTED
shown on
page A-11

Items No. 4 through
No. 7 are shown on
the following page.

No. 1302 Curb Stop Wrenches

- Designed to shut off 3/4" through 2" curb stops
- Made of 5/8" round carbon steel rod
- Ductile iron bottom casting

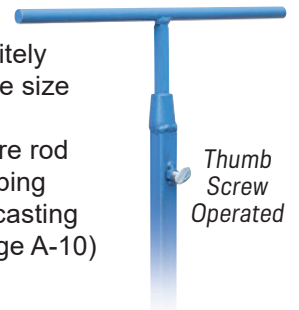


No. 1302 casting fits directly on t-head of curb stops

Length	Item No	Weight
3 ft.	367-4293	4.00 lbs.
4 ft.	367-4294	6.00 lbs.
5 ft.	367-4360	7.00 lbs.
6 ft.	367-5025	8.00 lbs.
7 ft.	367-4362	9.00 lbs.
8 ft.	367-4296	10.00 lbs.

Telescoping Curb Stop Wrenches

- Available in two size ranges
- Thumb screw allows for infinitely variable adjustment within the size range of each model
- Inner shaft is 1/2" solid square rod
- Outer shaft is 5/8" square tubing
- Combination socket bottom casting (see details of casting on page A-10)



Thumb
Screw
Operated

Length Range	Item No	Weight
4'6" through 8'	367-4370	4.00 lbs.
6' through 10'	367-4371	10.00 lbs.

Curb Wrenches and Keys are continued on page A-10.