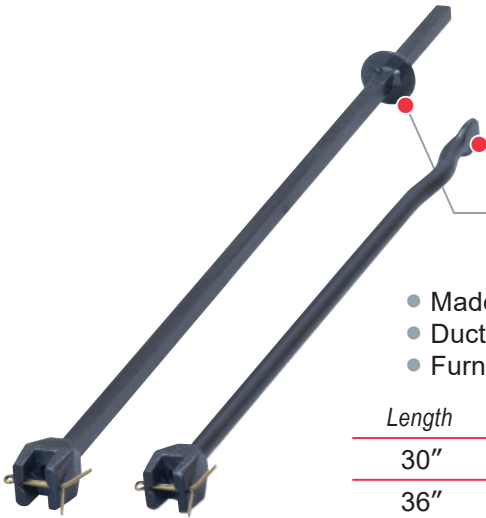


Curb Box Rods



Buffalo Erie/Minneapolis

Buffalo Type Curb Box Rods

- Made of 1/2" square carbon steel
- Ductile iron end casting
- Furnished with brass cotter pin

Length	Item No	Weight
30"	367-4230	3.00 lbs.
36"	367-4232	3.50 lbs.

Erie/Minneapolis Type Curb Box Rods

Furnished with brass cotter pin

Length	Item No	Weight
24"	367-4084	3.10 lbs.
30"	367-4085	3.20 lbs.
36"	367-4087	3.70 lbs.
42"	367-4090	4.20 lbs.
48"	367-4092	4.70 lbs.

Curb Wrenches and Keys



LIGHTED
shown on
page A-11

Items No. 4 through
No. 7 are shown on
the following page.

No. 1302 Curb Stop Wrenches

- Designed to shut off 3/4" through 2" curb stops
- Made of 5/8" round carbon steel rod
- Ductile iron bottom casting

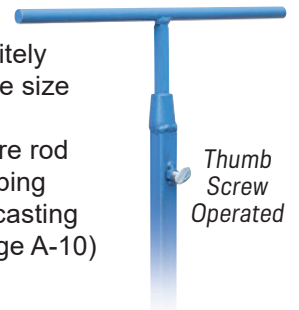


No. 1302 casting fits directly on t-head of curb stops

Length	Item No	Weight
3 ft.	367-4293	4.00 lbs.
4 ft.	367-4294	6.00 lbs.
5 ft.	367-4360	7.00 lbs.
6 ft.	367-5025	8.00 lbs.
7 ft.	367-4362	9.00 lbs.
8 ft.	367-4296	10.00 lbs.

Telescoping Curb Stop Wrenches

- Available in two size ranges
- Thumb screw allows for infinitely variable adjustment within the size range of each model
- Inner shaft is 1/2" solid square rod
- Outer shaft is 5/8" square tubing
- Combination socket bottom casting (see details of casting on page A-10)



Thumb
Screw
Operated

Length Range	Item No	Weight
4'6" through 8'	367-4370	4.00 lbs.
6' through 10'	367-4371	10.00 lbs.

Curb Wrenches and Keys are continued on page A-10.

Curb Wrenches and Keys, Continued

No. 1305 and No. 1321 Combination Curb Box Keys For **BUFFALO** Type Boxes

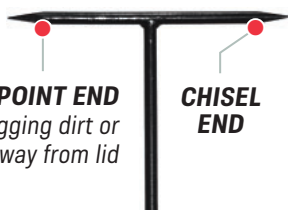
Made of 5/8" round carbon steel with cast steel combo casting.

No. 1305



Plain Tee handle

No. 1321



POINT END
for digging dirt or ice away from lid

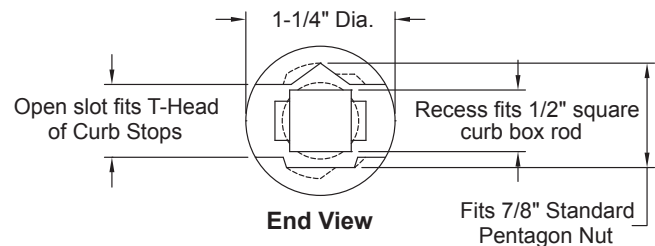
CHISEL END

Length	Weight	No. 1305		No. 1321	
		4 Item No	Item No	5 Item No	Item No
1 ft.	3.00 lbs.	367-4295	367-4295	367-5295	367-5295
3 ft.	5.00 lbs.	367-4291	367-4291	367-5291	367-5291
4 ft.	6.00 lbs.	367-4292	367-4292	367-5290	367-5290
6 ft.	8.00 lbs.	367-4297	367-4297	367-5297	367-5297
8 ft.	10.00 lbs.	367-4302	367-4302	spec/ord.	spec/ord.



THE COMBINATION SOCKET

is a multi-purpose tool. It can be used on a pentagon nut as well as a 1/2" square rod, and will fit directly on the t-head of a curb or meter stop through 2". When used on pentagon bolt of meter box covers, automatically attaches to lift and hold the lid. Non-slotted version is also available upon request.



NOT for use with 1" Erie Style Boxes.

No. 1306 and No. 1322 Curb Box Keys For **ERIE & MINNEAPOLIS** Type Boxes

Made of 5/8" carbon steel.

No. 1306



FORK END
of both keys fits in a curb box lid with 2 holes

SOCKET END
of No. 1306 key fits the plug in a curb box lid with a pentagon nut.

See close-up of Combination Socket on top of page.

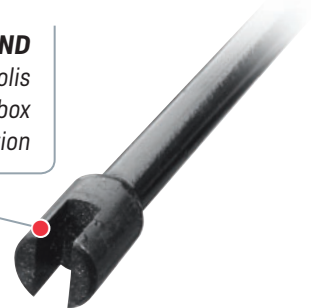
No. 1322



PICK END
is used to clear ice and dirt from the box lid

SLOTTED END

For use on Erie & Minneapolis style rods. Will fit inside a curb box with a 1" pipe upper section



Length	Weight	Plain Handle	No. 1306		No. 1322	
			6 Item No	Item No	7 Item No	Item No
2 ft.	5.00 lbs.	----	367-4277	367-4277	spec/ord.	spec/ord.
3 ft.	7.00 lbs.	----	367-4278	367-4278	367-5278	367-5278
4 ft.	9.00 lbs.	----	367-4264	367-4280	367-5280	367-5280
5 ft.	11.00 lbs.	----	367-4265	367-4276	367-5276	spec/ord.
6 ft.	13.00 lbs.	----	367-4266	367-4275	367-5275	spec/ord.
7 ft.	15.00 lbs.	----	367-4267	367-4274	367-5274	spec/ord.
8 ft.	17.00 lbs.	----	367-4268	367-4268	367-5268	spec/ord.



For special lengths not shown here, please inquire.