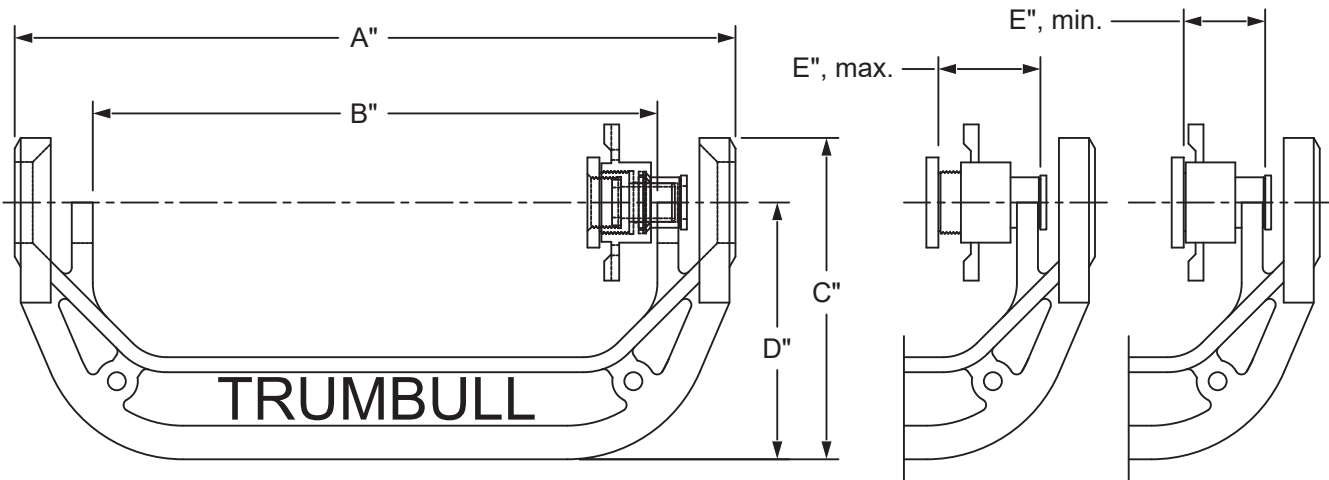


Barrel and Nosepiece are in contact with potable water and will conform to UNS C89833. They will be marked, "NL", and are certified by UL for compliance with NSF/ANSI 61 and NSF/ANSI 372, per the U.S. Safe Drinking Water Act. EPDM and fiber seals meet NSF/ANSI 61.

Handwheel is not in contact with potable water and will conform to UNS C83600.



Meter Size	Yoke						Expander			
	A"	B"	C"	D"	Wt., lbs.	Item No.	Bore Size	E", min.- max.	Wt., lbs.	Item No.
5/8"	10.69"	8.19"	5.16"	3.88"	3.9	367-5470	0.59"	1.44" - 1.75"	0.65	368-0630
5/8" x 3/4"	10.94"	8.34"	5.16"	3.88"	4.1	367-5469	0.72"	1.75" - 2.0"	0.85	368-0632
3/4"	12.31"	9.81"	5.16"	3.88"	4.4	367-5471	0.72"	1.75" - 2.0"	0.85	368-0632
1"	14.88"	11.75"	6.69"	5.34"	7.25	367-5472	0.97"	2.19" - 2.63"	1.65	368-0635

Material:
ASTM Class 30 Gray Iron,
black E-coat all surfaces.

UNS C89833 - Barrel and Nosepiece certified by UL for compliance with NSF/ANSI 61 and NSF/ANSI 372, per the U.S. Safe Drinking Water Act. (In contact with potable water).

**METER YOKE and
EXPANSION CONNECTIONS**
Drawn to Scale

Drawn:
FCN
05/19/14

Revision:
FCN
© 04/07/15

Trumbull Manufacturing
Youngstown, Ohio
www.trumbull-mfg.com