

Item Number:
 Domestic: 367-9417
 Non-Domestic: 367-9416

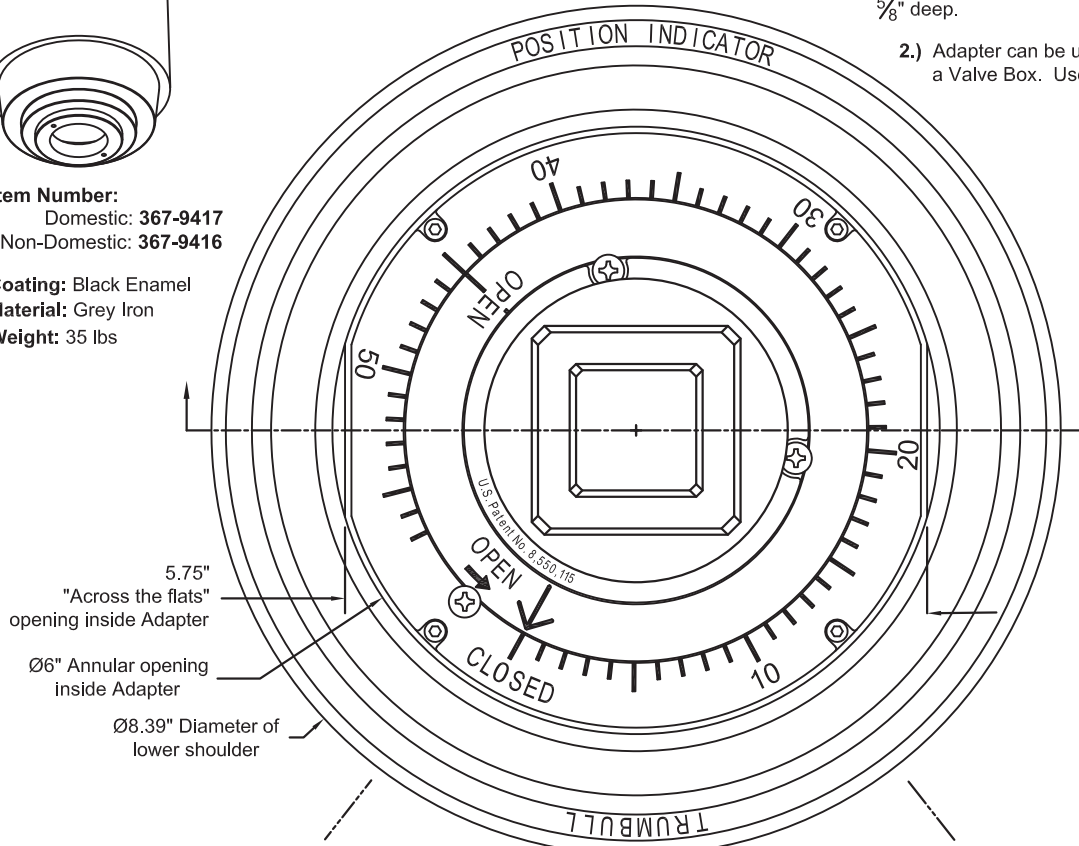
Coating: Black Enamel
Material: Grey Iron
Weight: 35 lbs

Typical top view
Position Indicator & Adapter
 (shown w/out Lid & Debris Shield)

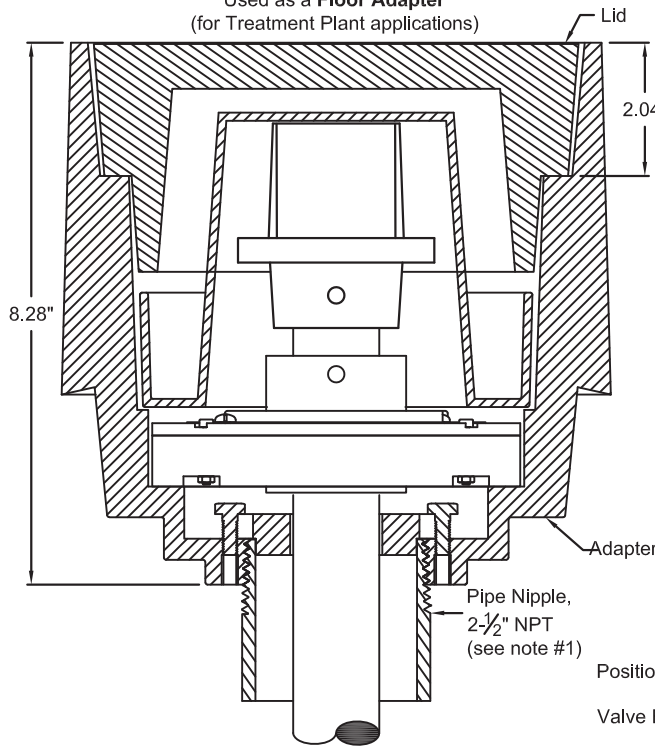
Notes:

- 1.) Use Pipe Nipple $\frac{5}{8}$ " longer than the increase of floor slab required, as the threads on the underside of Adapter are $\frac{5}{8}$ " deep.
- 2.) Adapter can be used with PVC C900 Pipe to form a Valve Box. Use Pipe sizes 6" or 8" DR 14.

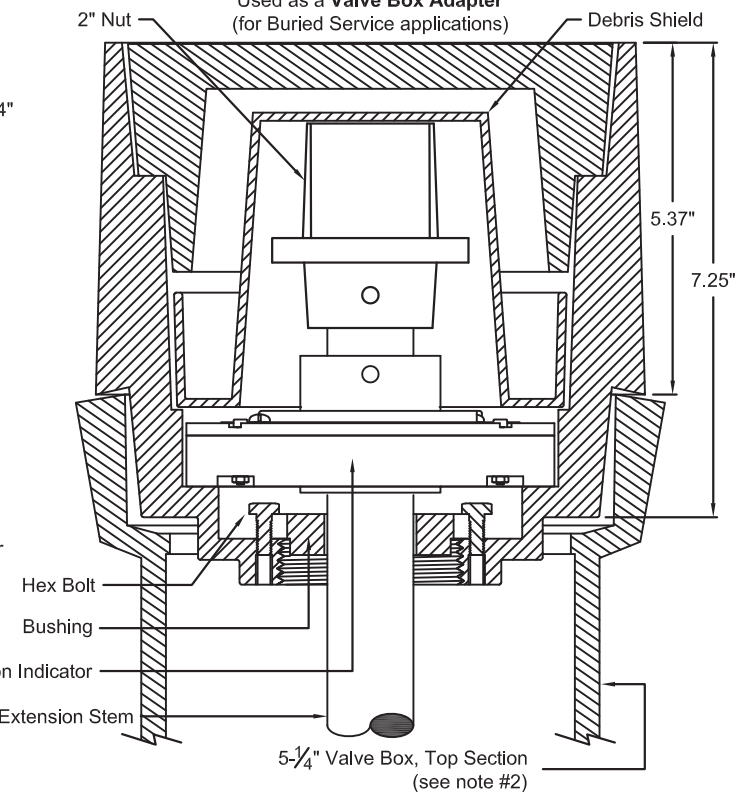
US Patent No.'s
 8,550,115
 9,347,583
 10,066,760



Typical section view
 Used as a **Floor Adapter**
 (for Treatment Plant applications)



Typical section view
 Used as a **Valve Box Adapter**
 (for Buried Service applications)



**HOUSING ADAPTER FOR
 POSITION INDICATOR**
 Drawn to Scale

Drawn:
 BJE
 02/08/11

Revision:
 BJE
 © 09/10/18

Trumbull Manufacturing
 Youngstown, Ohio
 www.trumbull-mfg.com