

i US Patent No.'s 8,550,115 / 9,347,583 / 10,066,760

Valve Position Indicators

Installation with **Wall Bracket**



WALL BRACKET

DUCTILE IRON
Item No. **367-2450**

CAST 316 STAINLESS
Item No. **367-2460**



- Eliminates broken valve stems caused by over-opening or over-closing
- Field-adjustable for any number of turns within the range of each model
- Constructed of heavy-duty, non-corrosive DuPont™ Delrin® polymer, providing high-impact resistance even in cold climates
- Double O-ring seals keep out water and dirt
- Third-party tested to over 1 million revolutions
- Provided with stainless steel hardware
- Also available for use in the floor (pages F-7 to F-8), and in Valve Boxes for buried service (pages F-1 to F-6)

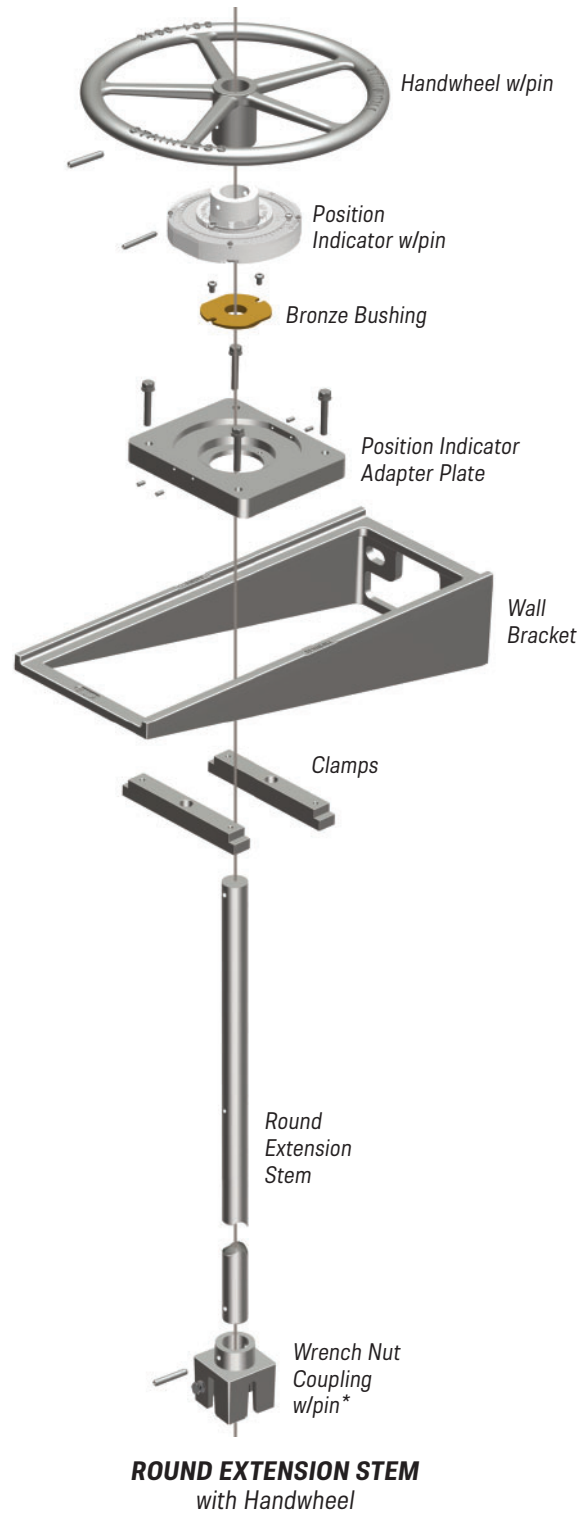
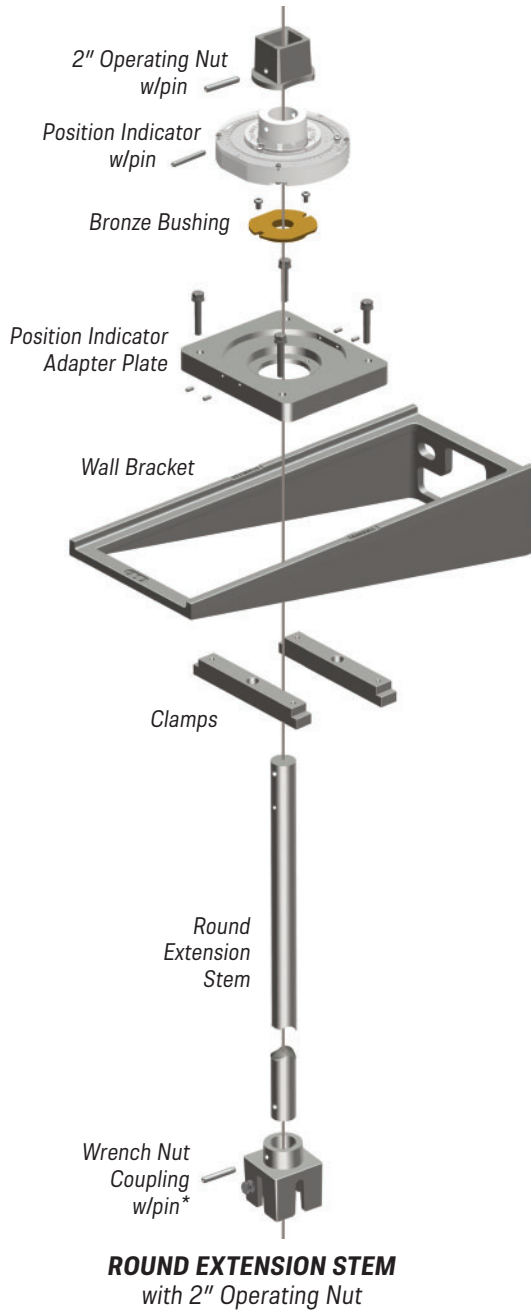
Ordering Instructions

1. Specify direction of open (open left or open right)
2. Model required (available in 57, 275 or 870 turns)
3. Extension Stem required
 - a. Length required
 - b. Round (maximum OD of 1.75") see next page for details
 - c. Carbon steel or stainless steel


Model Number	Number of Turns	Open Left	Open Right
		Item No	Item No
57T	0 - 57	367-9404	367-9403
275T	0 - 275	367-9406	367-9405
870T	0 - 870	367-9410	367-9409

Exploded Views

Round Extension Stems
Installation with Wall Bracket



* Wrench nut coupling normally furnished pinned to stem.

 US Patent No.'s 8,550,115 / 9,347,583 / 10,066,760