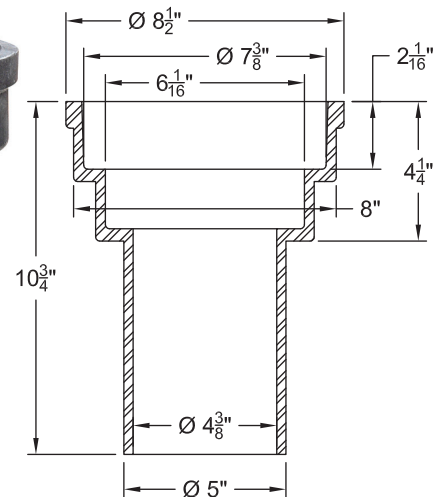
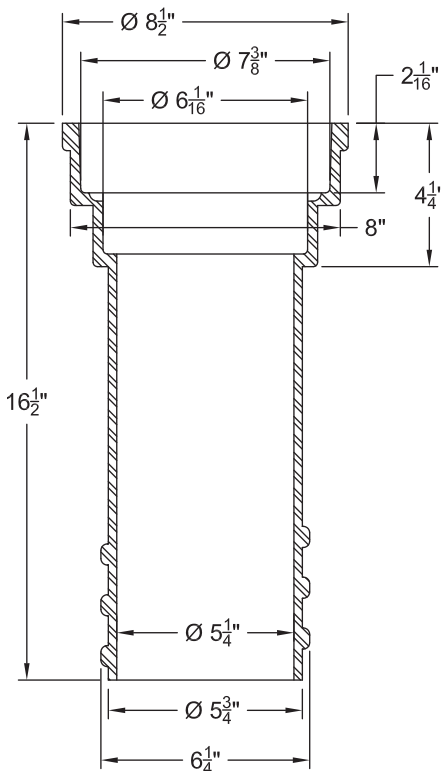


"Rite-Hite" Adapters

Available in Screw-Type and Slide-Type Models



Screw-Type "Rite-Hite" Adapter

Paving Adapter No. T-69

This type adapter screws into the top section of the valve box. They accept standard valve box covers, as made by Bingham & Taylor, Central Foundry, Tyler, etc.

Trumbull Item No.	Adjustment Range	Weight
367-5060	2-1/2" - 8"	25.00 lbs.

Slide-Type "Rite-Hite" Adapter

Provides a method for adjusting valve boxes to pavement level. They accept standard valve box covers, as made by Bingham & Taylor, Central Foundry, Tyler, etc.

Trumbull Item No.	Adjustment Range	Weight
367-5050	2-1/2" - 8"	16.00 lbs.



If the existing valve box is too low, place the "Rite-Hite" inside the existing box, pour stiff cement mortar around it and push down until the "Rite-Hite" is flush with the pavement surface.

If the existing valve box is too high, break off the top of the valve box and insert the "Rite-Hite". Then pour stiff cement mortar around it and push down until the "Rite-Hite" is flush with the pavement surface.