

**Notes:**

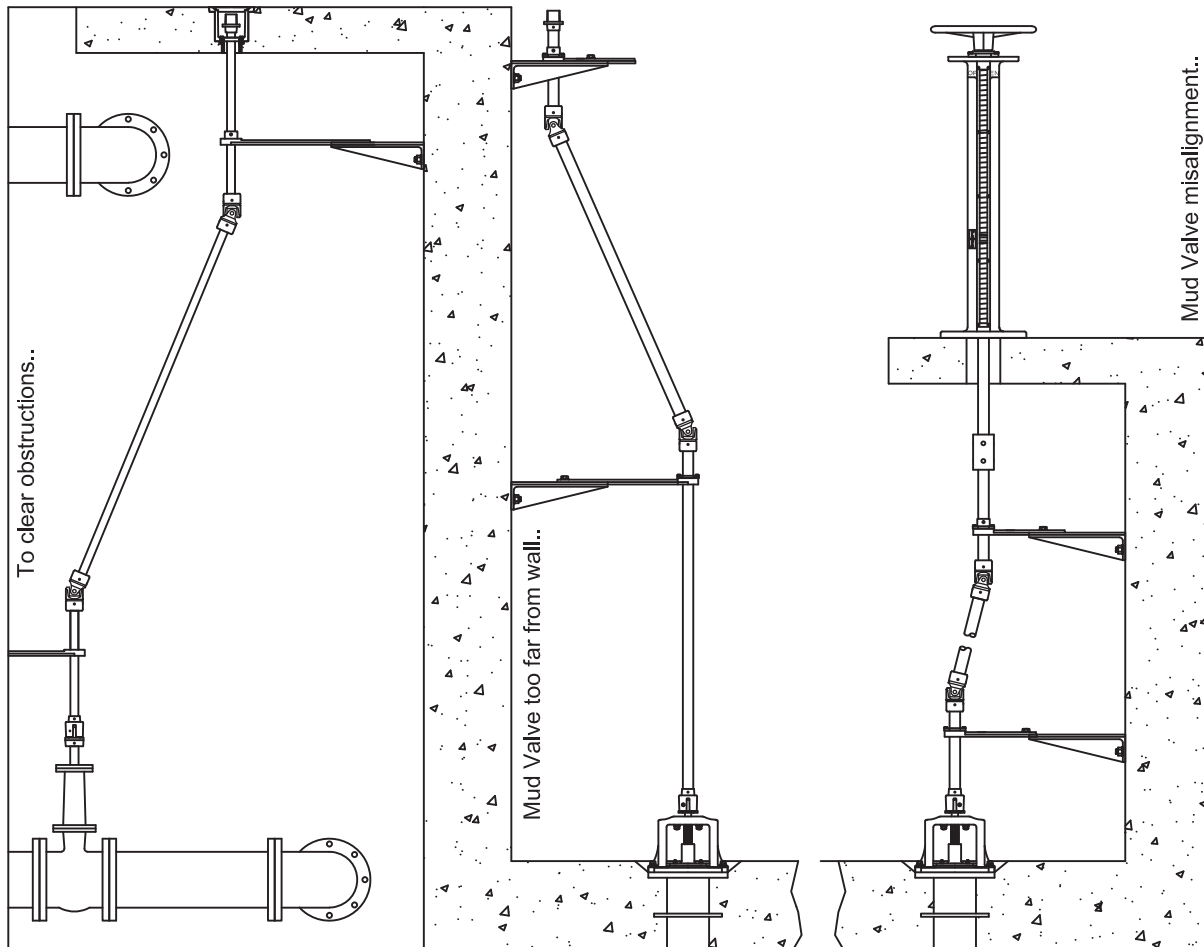
- 1.) Standard U-joint bore is sized to fit 1-1/4" bar stock.
- 2.) A EPDM Boot is recommended to protect the working knuckle of the joint, and can be packed with a water-proof lubricating grease for prolonged operating life. Grease by customer. The optional Boot includes a pair of stainless steel hose-type band clamps.
- 3.) The U-Joint is intended for manual operation. Contact Trumbull for use with electric actuators.

**Material:**

- Carbon Steel, C1045 (Item #: 367-8352)
- Stainless Steel, 304 (Item #: 367-8355)
- Stainless Steel, 316 (Item #: 367-8356)

**Load rating:**

U-Joint is capable of withstanding torsional loads up to 300 ft-lb. Consult engineering if a greater torsional load is required.



**UNIVERSAL JOINTS**  
**CARBON STEEL & STAINLESS STEEL**  
 Drawn to Scale

Drawn:  
 BJE  
 05/21/14

Revision:  
 BJE  
 (B) 05/13/19

**Trumbull Manufacturing, Inc.**  
 Youngstown, Ohio  
 www.trumbull-mfg.com