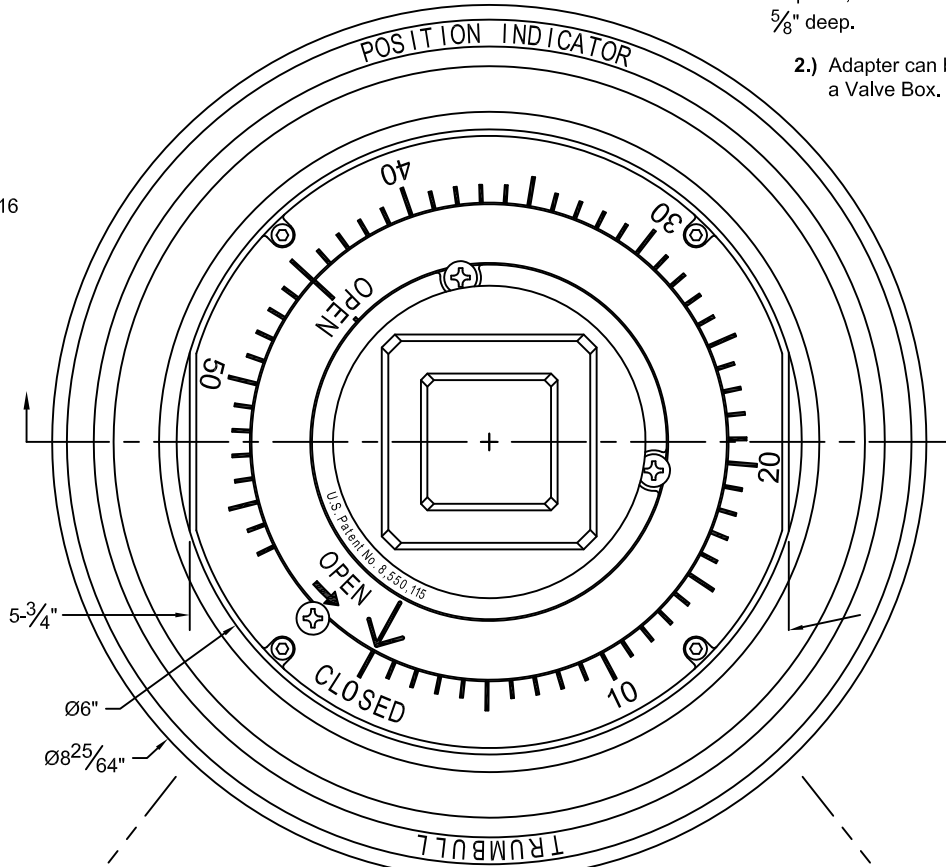


Item Number: #367-9416
 Coating: Black Enamel
 Material: Grey Iron
 Weight: 35 lbs

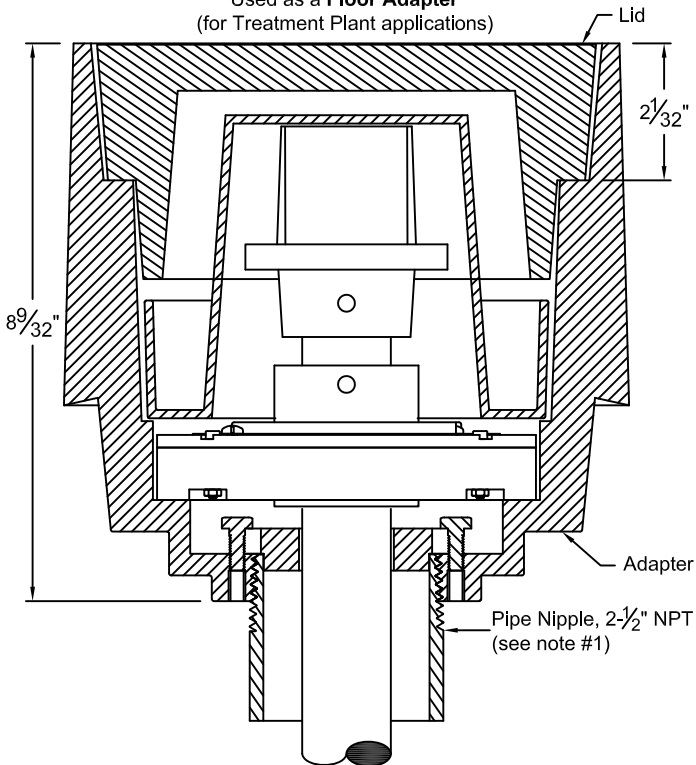
Typical top view
Position Indicator & Adapter
 (shown w/out Lid & Debris Shield)



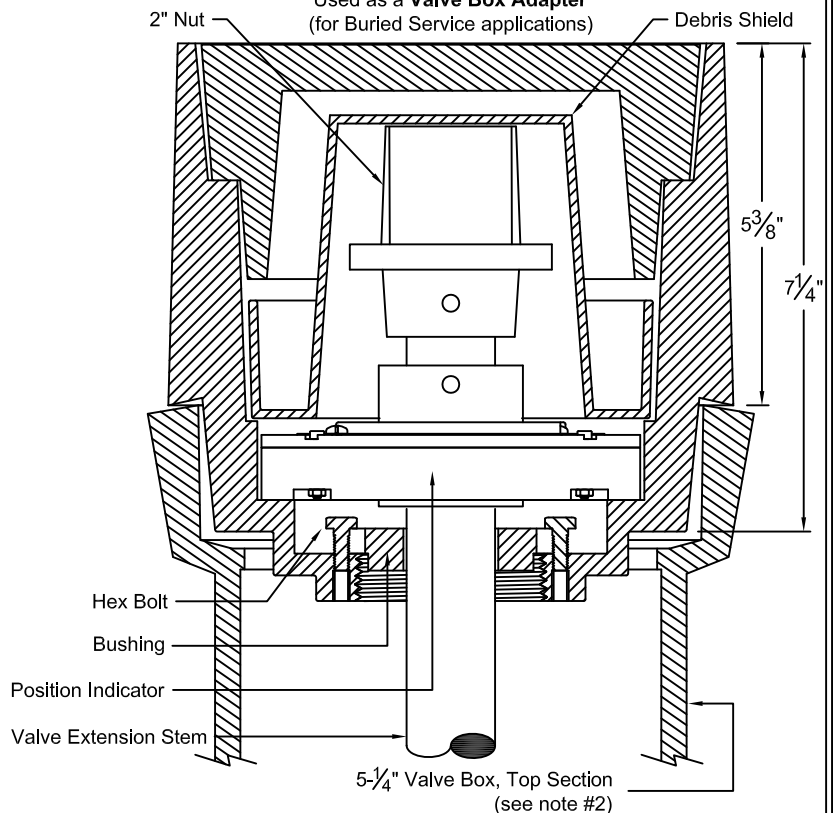
Notes:

- 1.) Use Pipe Nipple $\frac{5}{8}$ " longer than the increase of floor slab required, as the threads on the underside of Adapter are $\frac{5}{8}$ " deep.
- 2.) Adapter can be used with PVC C900 Pipe to form a Valve Box. Use Pipe sizes 6" or 8" DR 14.

Typical section view
 Used as a **Floor Adapter**
 (for Treatment Plant applications)



Typical section view
 Used as a **Valve Box Adapter**
 (for Buried Service applications)



Drawn by: BJE	Drawing revision:	
Date	Rev.	Date
2/28/11	B	4/11/2016

TRUMBULL INDUSTRIES
 P.O. Box 1556
 1040 N. Meridian Rd.
 Youngstown, Ohio 44501

Housing Adapter
 for Position Indicator